



2023 

## THE PERFECT SOLUTION FOR YOUR WINDOW

**ROMAN BLINDS**  
**SYSTEMS FOR ROMAN BLINDS**  
**ELECTRIC CURTAIN RODS**  
**PLEATED BLINDS**  
**FABRIC BLINDS**  
**DAY/NIGHT BLINDS**  
**CURTAIN RODS AND TRACK SYSTEMS**  
**ROLLER SEWING SERVICE**  
**CURTAIN AND DRAPE SEWING SERVICE**  
**SEWING ACCESSORIES**

### ROMAN BLINDS

We offer a wide collection specially curated for Roman Blinds. In our collection, you will find both sheer/voile fabrics as well as heavy curtain fabrics.

### ELECTRIC CURTAIN RODS

Our range includes electric curtain rods with various types of drives and controls. Curtain rods from brands like SOMFY, CORTINO, or COMFORT LINE ensure reliability, quiet operation, and safety.

### PLEATED BLINDS

Pleated blinds are one of the most popular window covering solutions available on the market. Pleats have gained popularity due to their modern appearance, wide range of color choices, and ease of installation.

[www.dekro.com.pl](http://www.dekro.com.pl)



# TABLE OF CONTENTS

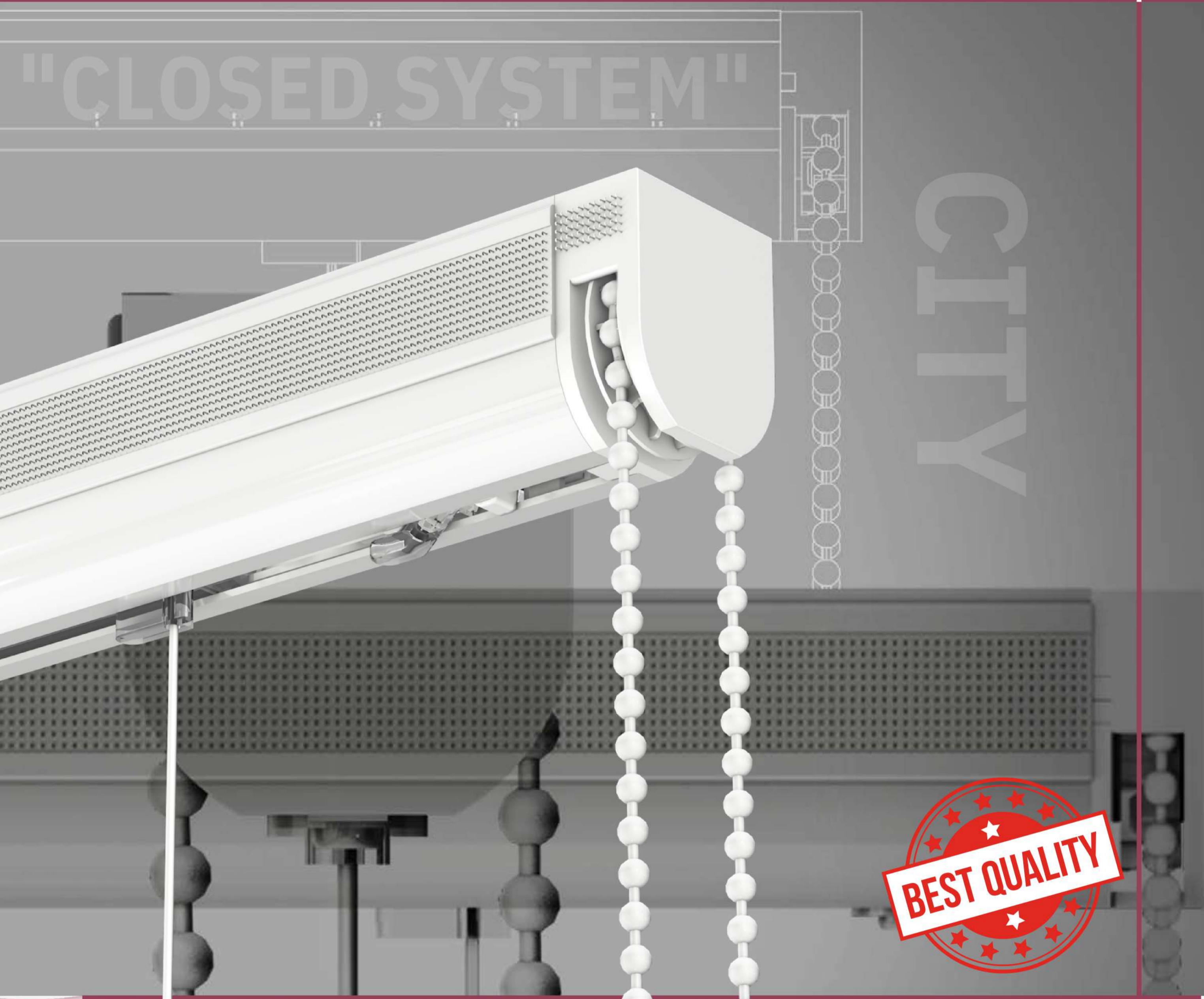
- 2 TABLE OF CONTENTS
- 3 CITY ROMAN BLIND SYSTEM
- 7 PREMIUM ROMAN BLIND SYSTEM
- 11 DAY/NIGHT ROMAN BLIND SYSTEM
- 15 XL AND 230V ROMAN BLIND SYSTEM
- 19 ROOF AND BAY ROMAN BLIND SYSTEM
- 25 ALUMINUM KAES CURTAIN ROD/TRACK
- 29 SOMFY SLIM ELECTRIC CURTAIN ROD
- 35 UNIVERSAL AM 68 ELECTRIC CURTAIN ROD + SHUTTERBOX
- 41 ALUMINUM ATR CURTAIN ROD/TRACK
- 47 VELOLINE AND VELOLINE DUO PLEATED BLIND PROFILE
- 51 MAGNUS PLEATED BLIND PROFILE
- 57 BASIC 25 FREE-HANGING ROLLER BLIND
- 61 CLASSIC CASSETTE ROLLER BLIND WITH GUIDES
- 65 LORD CASSETTE ROLLER BLIND WITH GUIDES
- 69 CONCEPT XL FREE-HANGING ROLLER BLIND
- 73 MASTER ALUMINUM CASSETTE ROLLER BLIND
- 77 MAESTRO ALUMINUM CASSETTE ROLLER BLIND
- 81 DEKRO CONTACT
- 82 ABOUT DEKRO COMPANY







## "STANDARDS OF EXECUTION FOR THE "CITY" ROMAN BLIND SYSTEM"





# "STANDARDS OF EXECUTION FOR THE "CITY"

HIGHEST QUALITY  
SYSTEM

**ONE PROFILE**  
**MANY POSSIBILITIES**



## CHAIN

- 1:1 Gear Ratio - max 6 kg.
- 1:4 Gear Ratio - max 8 kg.
- Mechanisms with click-on cover.



## 12V MOTOR

- Built-in battery.
- Motor with side and center mounting options.
- Compatible with Cortino 12V.

## EASYLOCK DRUM FOR QUICK INSTALLATION

- 20% faster installation
- Attached with a single click
- No screws
- Detachable cord



**EASYLOCK®**

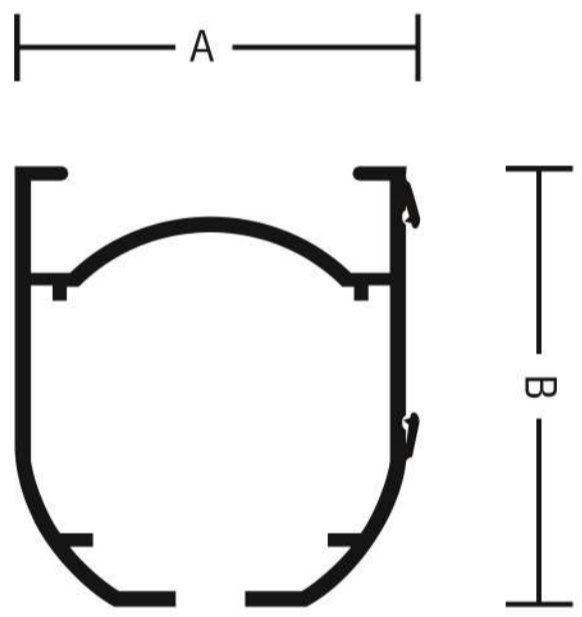


**EASYSAFE MECHANISM®**

- 1:1 Gear Ratio for quick lifting.
- 1:4 Gear Ratio, slower but capable of handling weights up to 10 kg.

**SAFE MECHANISM DISENGAGEMENT**

- The chain sprocket only disengages in hazardous situations, during excessive loading.
- After releasing the chain, it can be easily placed back into the mechanism.
- Child-safe, compliant with European safety certification.

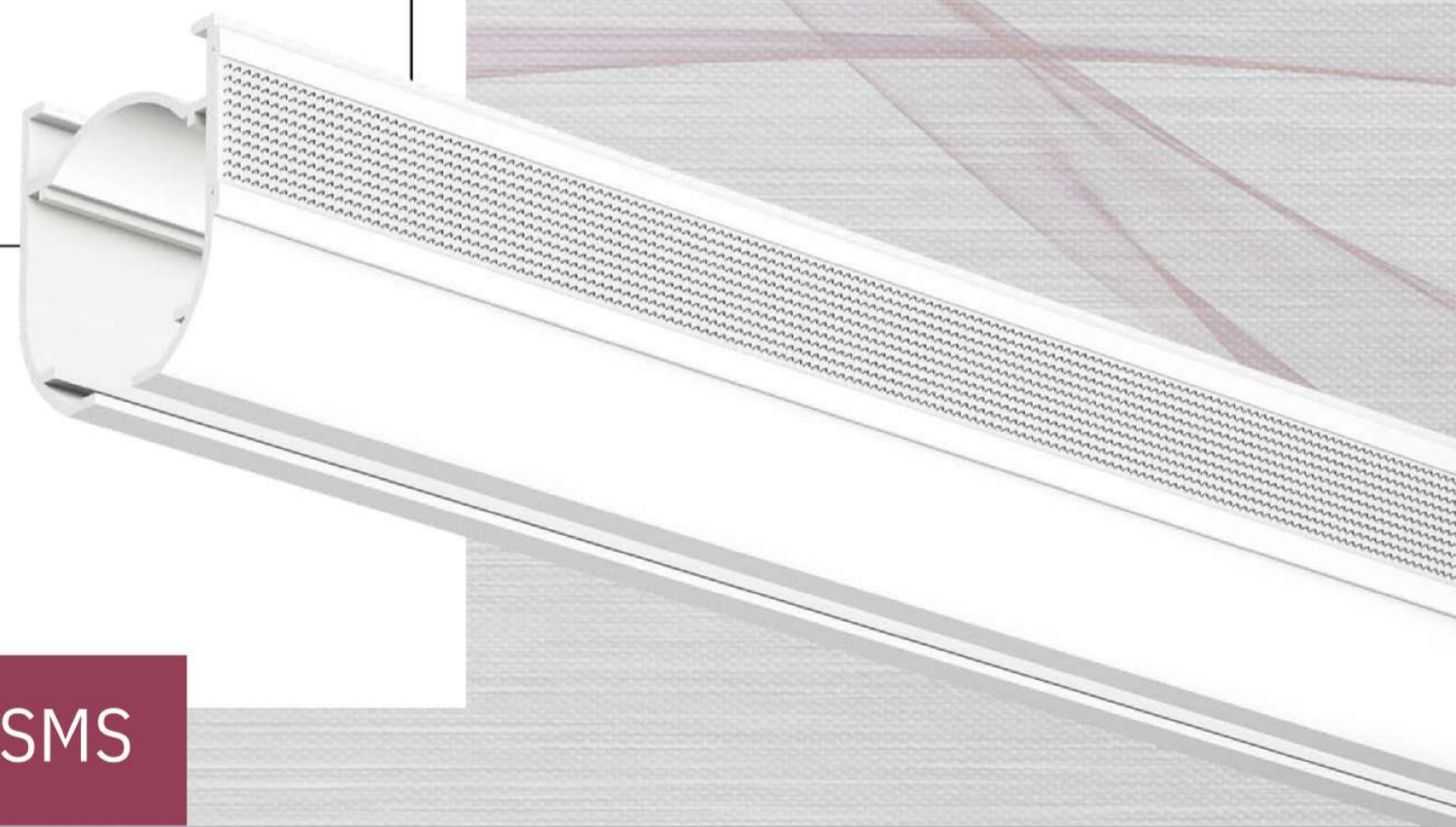


**Dimension A / Dimension B / Length / Weight per meter (pm).**

35 mm / 38 mm / 5800 mm / 0,38 Kg

**Material: Aluminum**

**Color: White** ○



**OPTIONS OF CONTROL MECHANISMS**



BUDGET



STANDARD



EASY SAFE





# "STANDARDS OF EXECUTION FOR THE "CITY"

## "CITY" ROMAN BLIND SYSTEM

INTEGRATED MOTOR AND BATTERY IN THE RAIL



**CORTINO**  
Compatible

- Designed for both center and side motors
- Option for direct power supply via 12V adapter
- Built-in 12V battery (650 mAh), up to 6 kg
- Compatible with CORTINO systems and remotes

## 12V ELECTRIC OPTION

**CORTINO**  
CENTER MOTOR



**CORTINO**  
SIDE MOTOR



BUILT-IN 12V  
BATTERY - 650mAh



REMOTES



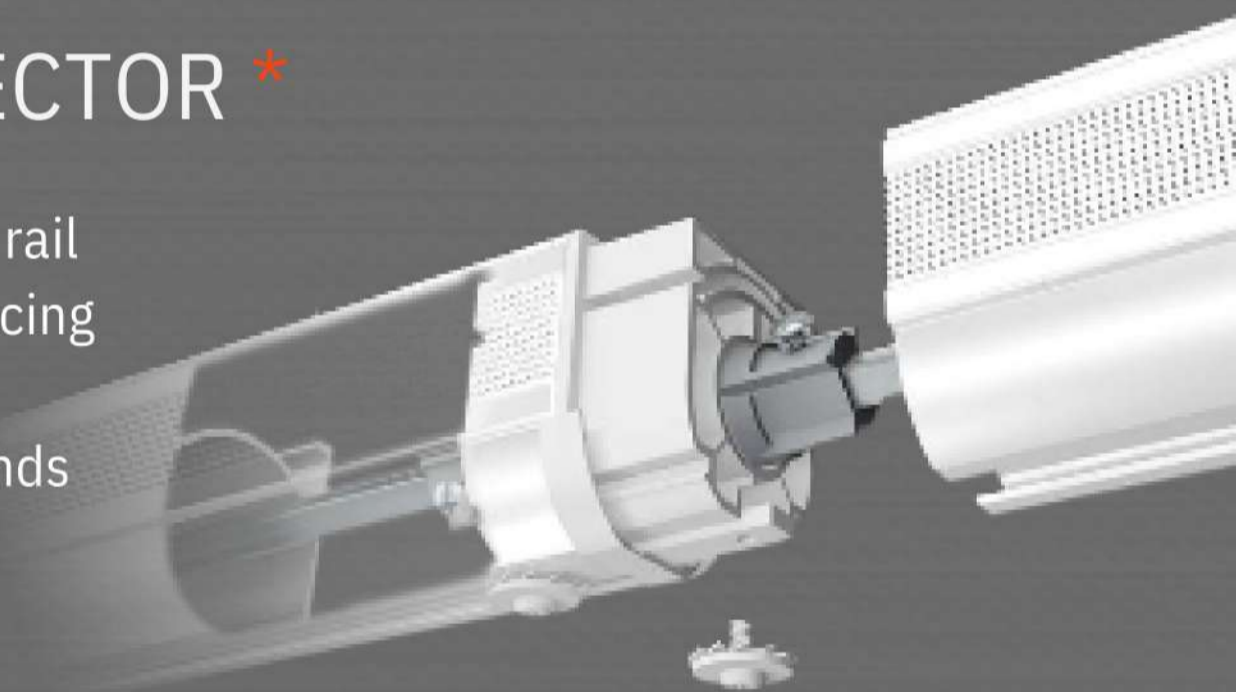
amazon

Microsoft



## RAIL CONNECTOR \*

Connects both CITY rail and driving rod, reducing waste and saving on transporting long blinds



## ANGULAR JOINT \*

Angular joint for the CITY system, allows connecting two Roman blinds, e.g., in a corner window.



\*SYSTEMS AVAILABLE ONLY BY SPECIAL ORDER

## VIEW AFTER UNFOLDING

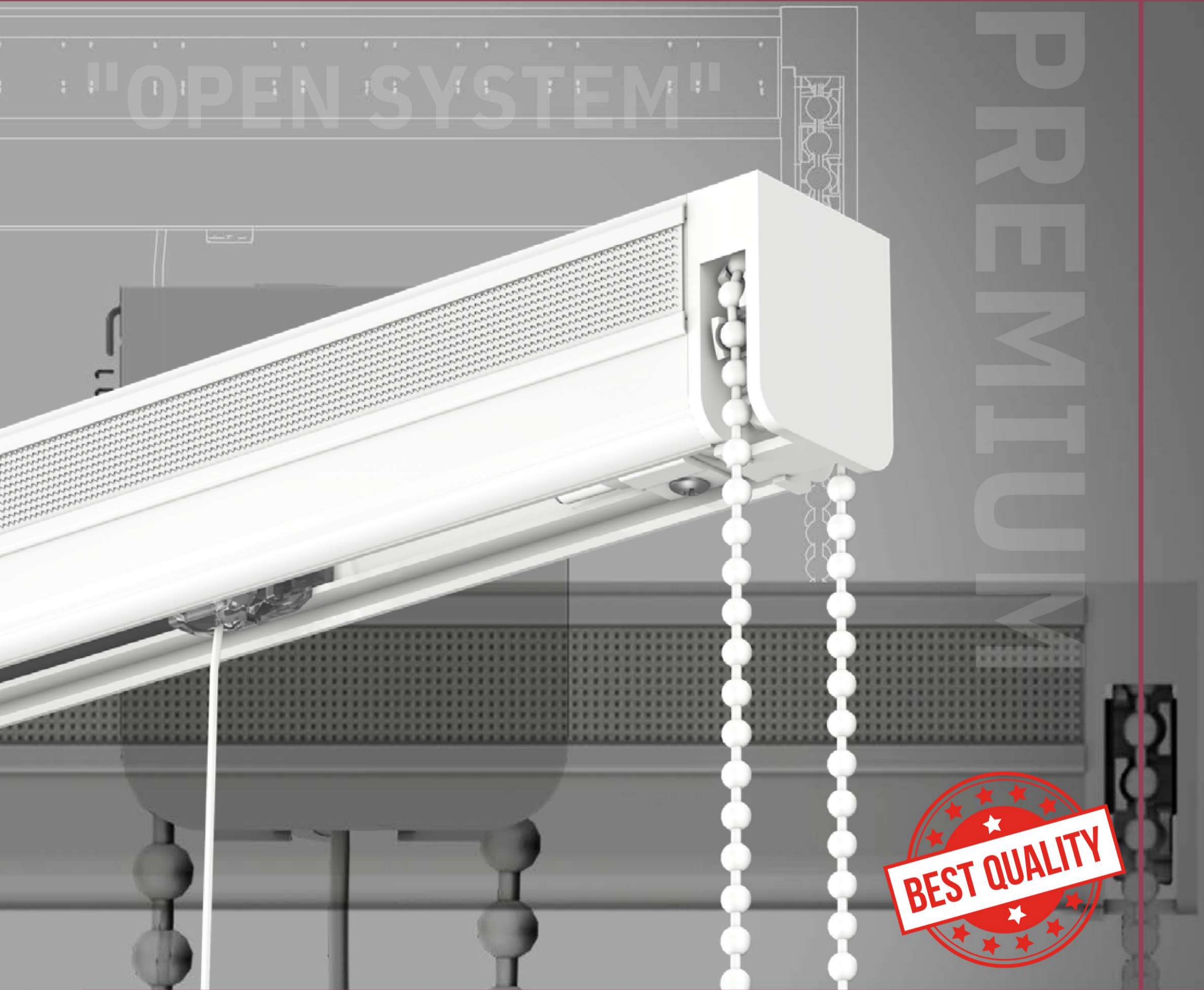
- 1 Handle
- 2 Easylock cap
- 3 Rail profile
- 4 Easysafe mechanism
- 5 Mechanism gear
- 6 Chain loop
- 7 Driving rod
- 8 Easylock drum







**"STANDARDS OF EXECUTION FOR THE "PREMIUM"  
ROMAN BLIND SYSTEM"**





# STANDARDS OF EXECUTION FOR THE "PREMIUM"



HIGHEST QUALITY SYSTEM

**ONE PROFILE  
MANY POSSIBILITIES**



## CHAIN

- 1:1 Gear Ratio - max 8 kg
- 1:4 Gear Ratio - max 10 kg
- Mechanisms with click-on cover



**CORTINO**  
KOMPATYBILNE

## 12V MOTOR

- Built-in battery.
- Motor with side and center mounting options.
- Compatible with Cortino 12V.

## EASYLOCK DRUM FOR QUICK INSTALLATION

- 20% faster installation
- Attached with a single click
- No screws
- Detachable cord



**EASYLOCK®**

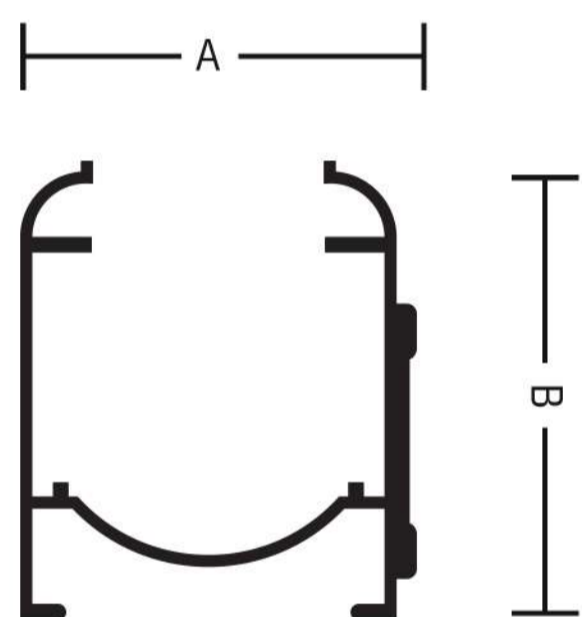


## CONTROL UNIT EASYSAFE®

- Control unit 1:1 for fast operation
- Control unit 1:4 for a weight up to 10 kg / 22 lbs

### INTERNAL BREAKAWAY MECHANISM

- The gear of the chain releases only in dangerous situations or when subjected to excessive load.
- After releasing the chain, it can be easily placed back into the mechanism.
- Child-safe, compliant with European safety certification.



**Dimension A / Dimension B / Length / Weight per meter (pm).**  
 33,2 mm / 38,5 mm / 5800 mm / 0,38 Kg

**Material: Aluminum**

**Color: White** ○

## MECHANISM CONTROL OPTIONS



BUDGET



STANDARD



EASY SAFE





# STANDARDS OF EXECUTION FOR THE "PREMIUM"

## PREMIUM ROMAN BLINDS SYSTEM

INTEGRATED  
MOTOR AND BATTERY



CORTINO  
COMPATIBLE

- Designed for both mid-drive and hub motor setups
- Option for direct power supply with a 12V adapter
- Built-in 12V battery (650mAh), supports up to 6 kg
- Compatible with CORTINO systems and remotes

## MOTORIZED OPTIONS 12V

CORTINO  
MIDDLE MOTOR



CORTINO  
SIDE MOTOR



BUILT IN BATTERY PACK  
12V - 650mAh



REMOTE



amazon

Microsoft



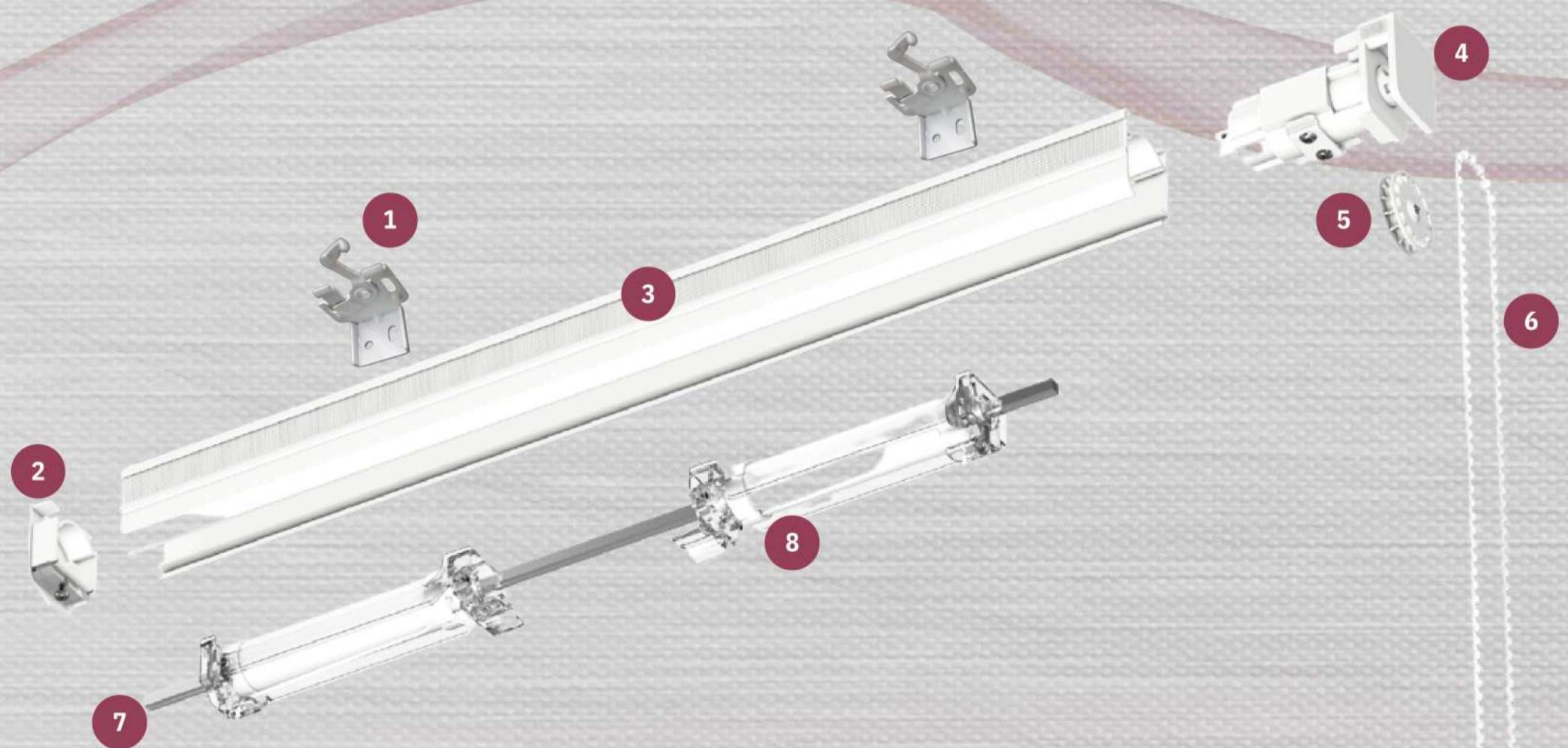
## ANGULAR JOINT\*



The angular joint for the PREMIUM system allows for connecting two Roman blinds, for instance, in a corner window.

**\*SYSTEMS AVAILABLE ONLY ON SPECIAL ORDER**

- 1 Handle
- 2 Easylock cap
- 3 Rail profile
- 4 Easysafe mechanism
- 5 Mechanism gear
- 6 Chain loop
- 7 Driving rod
- 8 Easylock drum



## EXPLODED VIEW





## STANDARDS OF EXECUTION FOR DAY/NIGHT (DUO) ROMAN BLIND SYSTEM

SYSTEM  
DAY/NIGHT: DUO

DAY/NIGHT

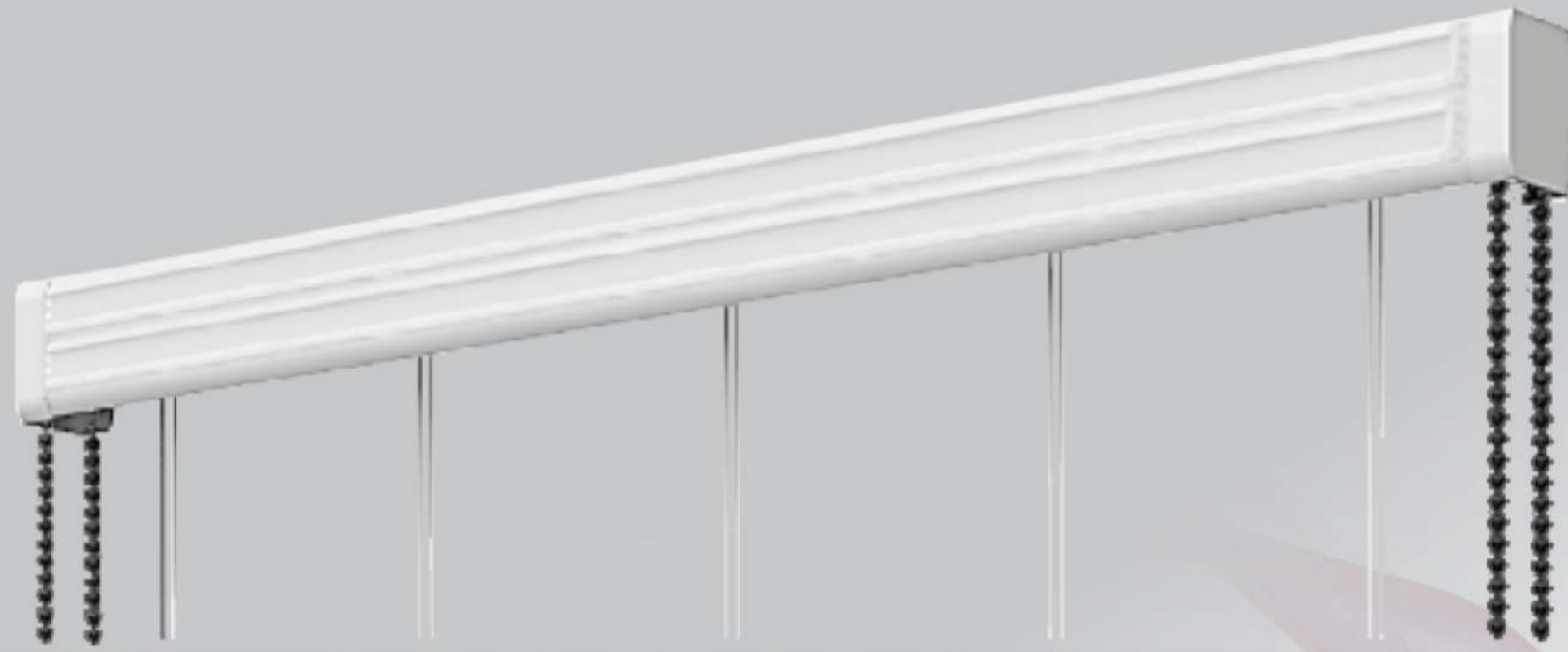




# STANDARDS OF EXECUTION FOR DAY/NIGHT (DUO) ROMAN BLIND SYSTEM

## DOUBLE-CHAIN SYSTEM

### DAY/NIGHT ROMAN BLIND PROFILE



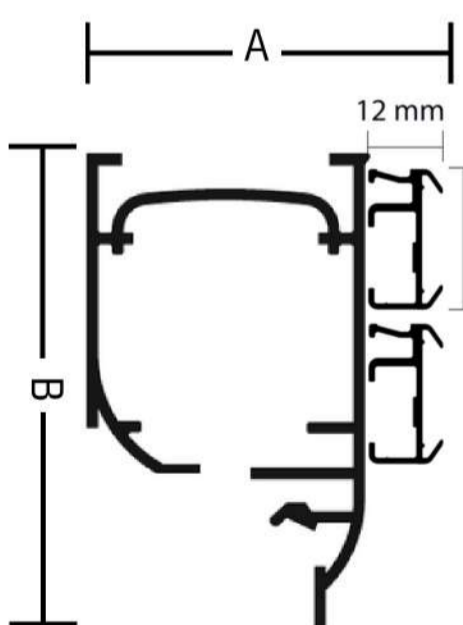
#### CHAIN X2

- Gear ratio 1:4 - max 8 kg
- Maximum width of the blind is 230 cm.
- Independently operating fabrics on chains.



#### GROMMET

- A special grommet designed to be attached to sheer curtain fabric in a transparent color.



**Dimension A / Dimension B / Length / Weight per meter (pm).**

45 mm / 50 mm / 2300 mm / 1,8 Kg

**Material: Aluminum**

**Color: White** ○

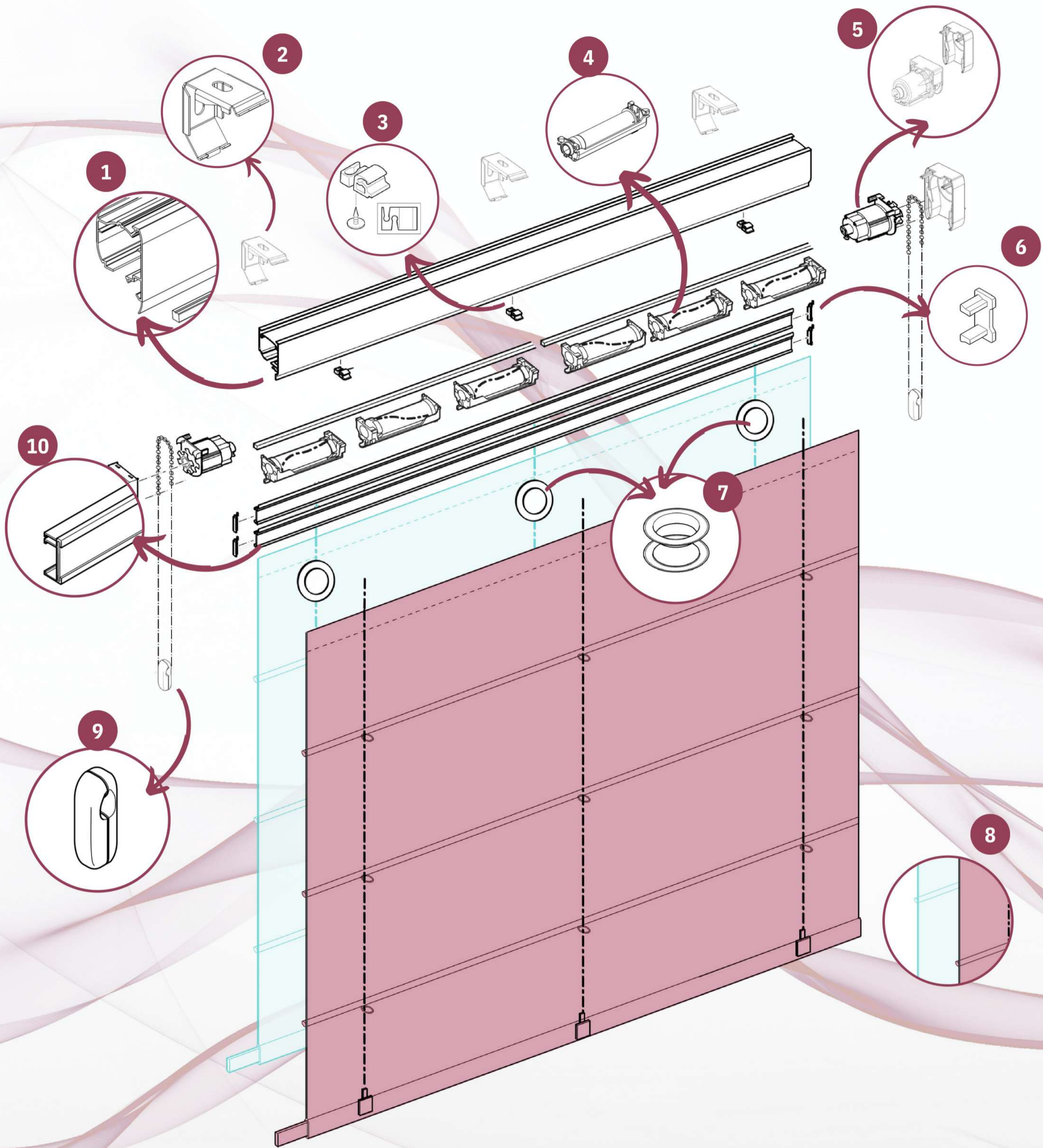


#### ROLLER

- Unique roller for day/night rail



# STANDARDS OF EXECUTION FOR DAY/NIGHT (DUO) ROMAN BLIND SYSTEM



- 1 RAIL WITH A DRIVING ROD
- 2 UNIVERSAL BRACKET
- 3 CORD GUIDANCE
- 4 DRUM WITH A CORD
- 5 CONTROL MECHANISM WITH A CHAIN

- 6 RAIL END CAP WITH VELCRO
- 7 TRANSPARENT GROMMET
- 8 SHEER AND CURTAIN FABRIC
- 9 CHAIN WEIGHT
- 10 VELCRO RAIL



# STANDARDS OF EXECUTION FOR DAY/NIGHT (DUO) ROMAN BLIND SYSTEM

## DAY/NIGHT (DUO) ROMAN BLIND SYSTEM

Roman Day/Night Blind is an excellent solution for any room, combining elegant design with functionality. This system consists of two Velcro rails. On one rail, there is a curtain and sheer fabric. The Roman Day/Night Blind is controlled using separate chains, allowing for adjustable levels of shading by lowering the curtain, the sheer fabric, or both simultaneously.

It is worth noting that there are certain limitations regarding the dimensions of the blind. The minimum width is 68 cm, and the maximum is 240 cm. The right side is responsible for the curtain, while the left side is for the sheer fabric.

Roman Day/Night Blinds are a perfect solution for those who appreciate not only a beautiful appearance but also functionality and user convenience. With the ability to adjust lighting and privacy, you can easily tailor the atmosphere in the room to your needs and preferences.







## STANDARDS OF EXECUTION FOR XL 230V ROMAN BLIND SYSTEM

**somfy.**  
COMPATIBLE

**YOODA**<sup>®</sup>  
TECHNOLOGY

XL 230V



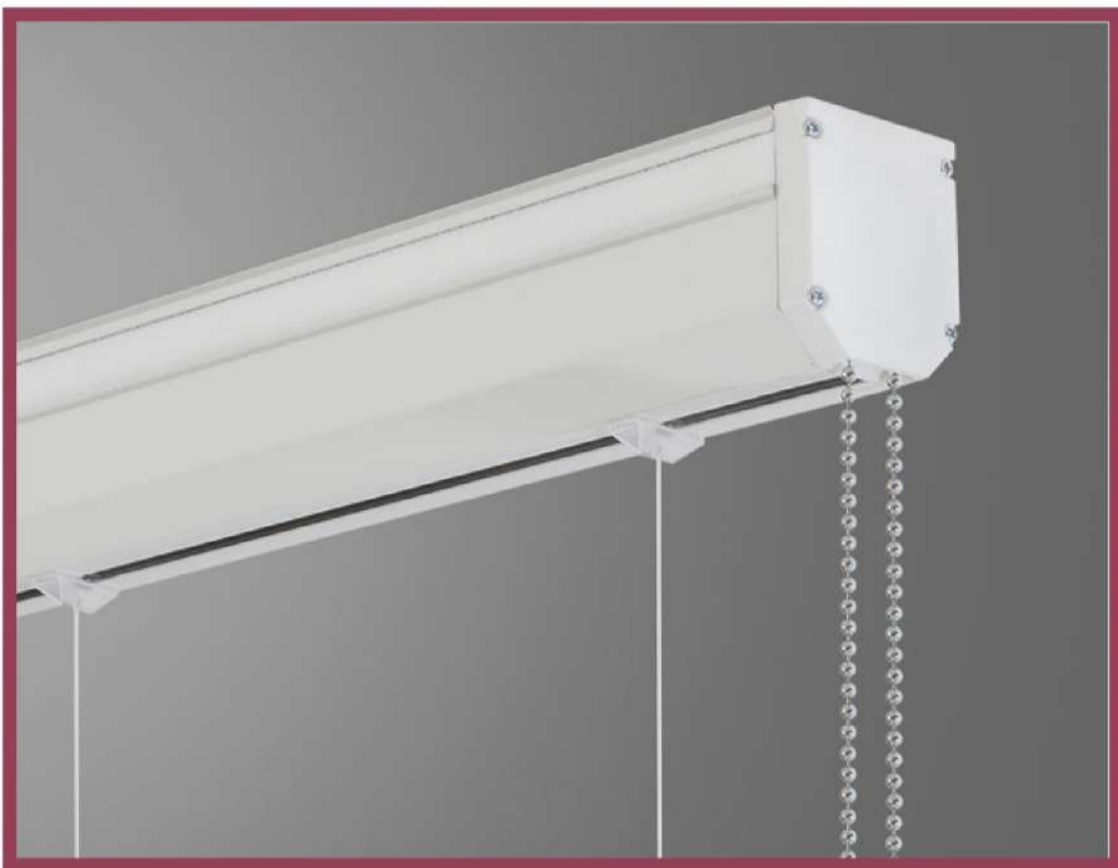


# STANDARDS OF EXECUTION FOR XL 230V ROMAN BLIND SYSTEM



HIGHEST QUALITY  
ROMAN BLIND SYSTEM

**LARGE-SIZED ROMAN BLIND  
PROFILE**



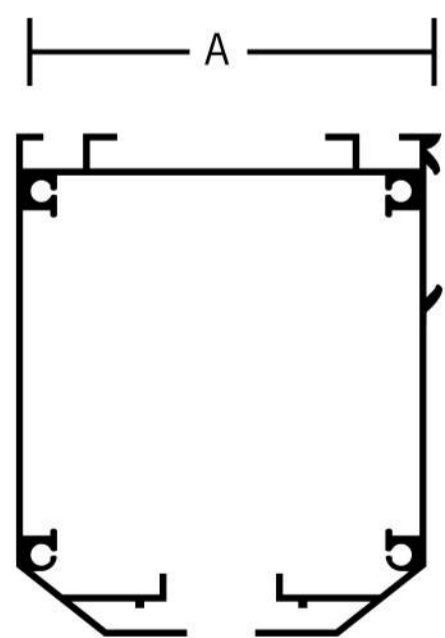
## CHAIN

- Gear ratio 1:5 - max 8 kg
- Up to 7 meters of cord height on the drum.



## MOTOR 230V

- SOMFY and YOODA motors
- Motors with RTS radio control and WT phase control.
  - Compatible with Tahoma Switch.



**Dimension A / Dimension B / Length / Weight per meter (pm).**

60 mm / 72 mm / 5800 mm / 1,3 Kg

**Material: Aluminum**

**Color: White** ○

COMPATIBLE

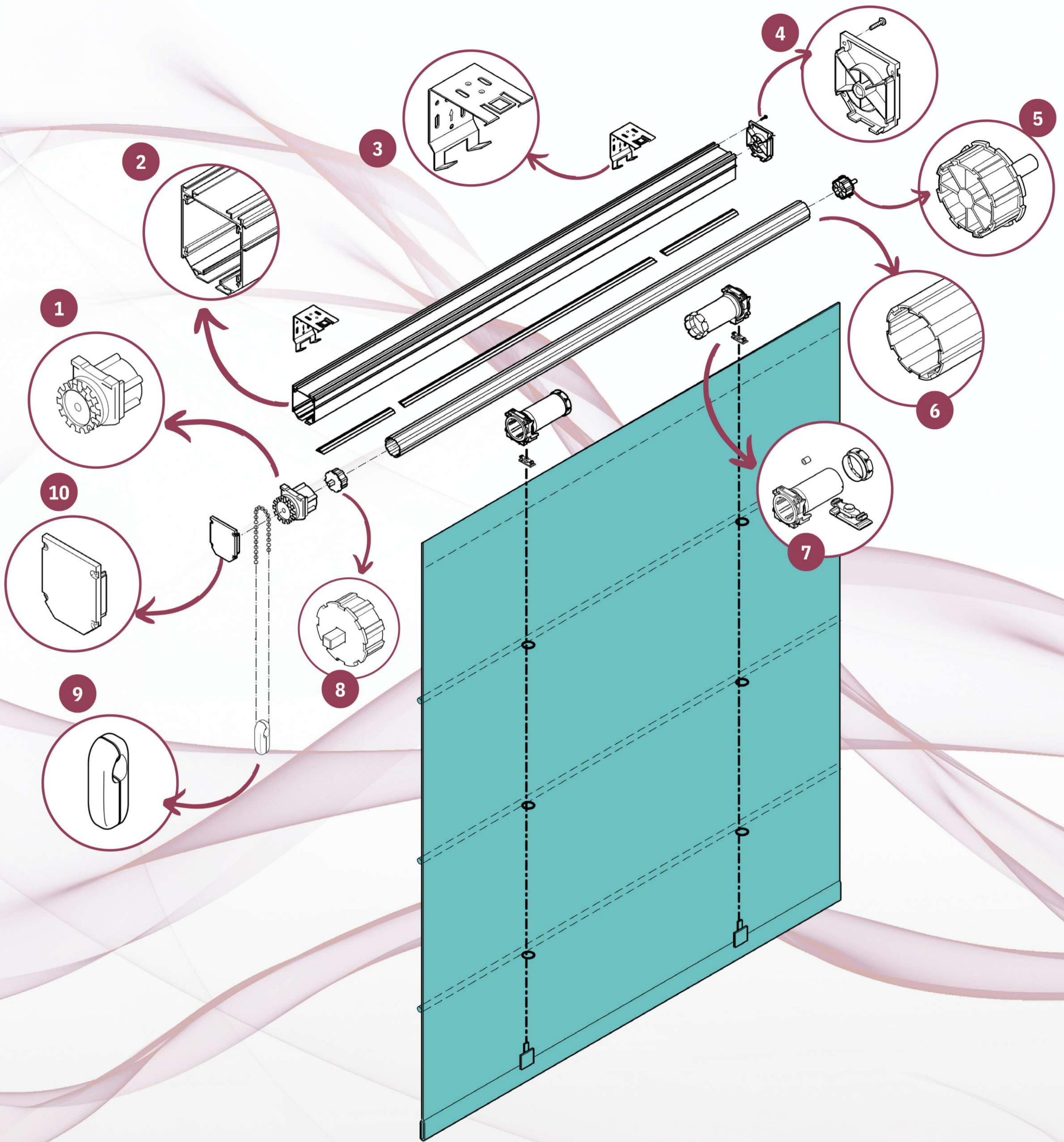
**somfy**®

**YOODA**®  
TECHNOLOGY





# STANDARDS OF EXECUTION FOR XL 230V ROMAN BLIND SYSTEM



- 1 CHAIN MECHANISM 4.5X6.0
- 2 XL RAIL PROFILE
- 3 UNIVERSAL BRACKET
- 4 RAIL END CAP
- 5 DRIVE TUBE END CAP

- 6 DRIVE TUBE
- 7 DRUM WITH CORD
- 8 ADAPTER FOR DRIVE TUBE
- 9 CHAIN WEIGHT
- 10 MECHANISM COVER



# STANDARDS OF EXECUTION FOR XL 230V ROMAN BLIND SYSTEM

## XL 230V SYSTEM ROMAN BLINDS

INTEGRATED MOTOR WITH DRIVE  
TUBE IN THE RAIL



- Designed for both phase motors and radio-controlled motors.
- Capability for direct integration with SOMFY smart home systems.
- Compatible with CORTINO and YOODA smart systems and remotes.



## TAHOMA SWITCH\*

\*compatible only with radio motors from SOMFY



**YOODA**<sup>®</sup>  
TECHNOLOGY



**somfy**<sup>®</sup>







## STANDARDS OF EXECUTION FOR ROMAN ROOFTOP BLIND

*Roman Roof/Knee  
Blind available  
exclusively at  
DEKRO!*





# STANDARDS OF EXECUTION FOR ROMAN ROOFTOP BLIND

## ✓ 1. GENERAL INFORMATION AND EXECUTION STANDARDS

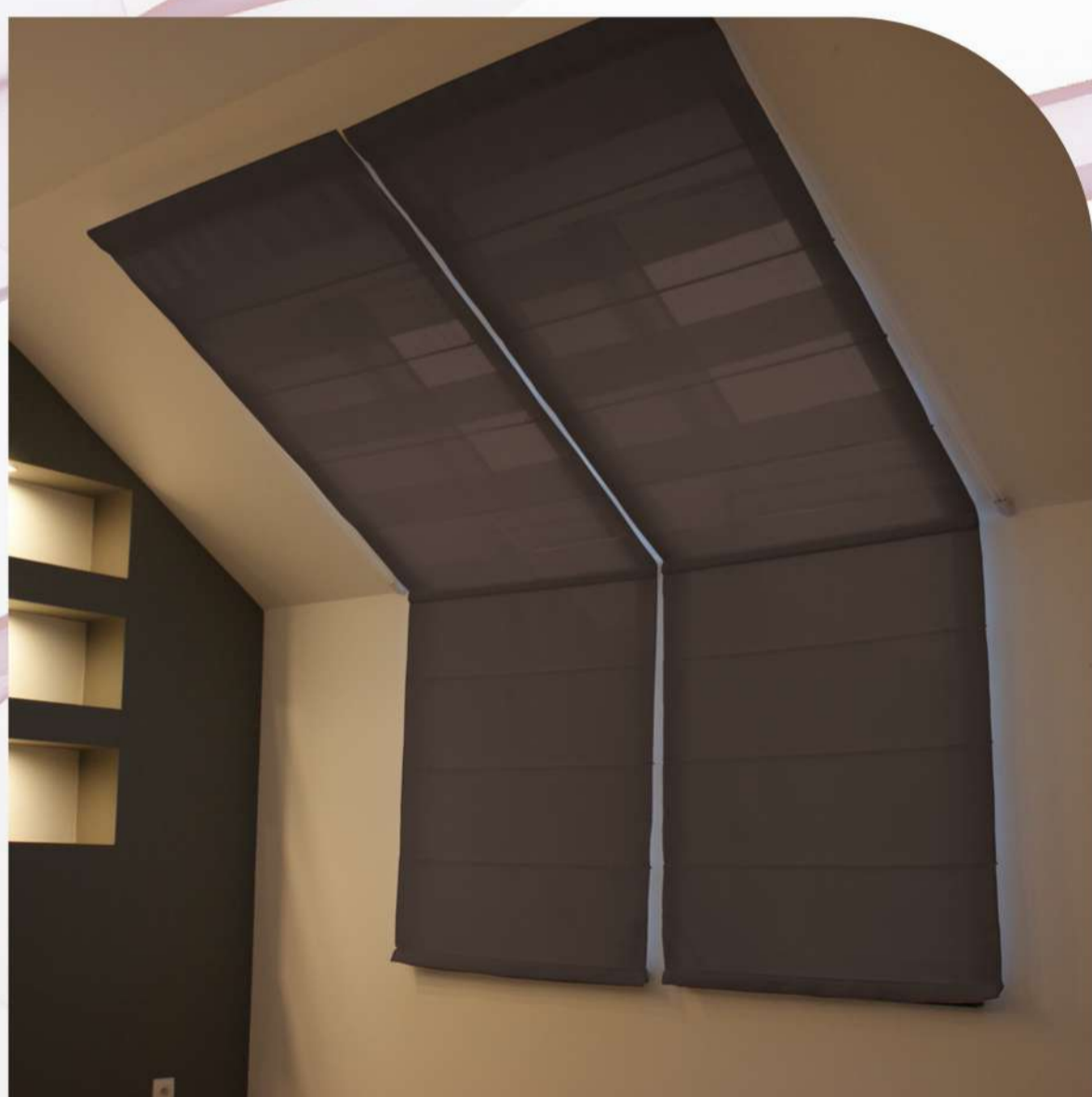
On your attic, you can combine elegance and functionality with traditional Roman blinds. Our Roman roof blinds offer many advantages. First and foremost, they are visually indistinguishable from classic Roman blinds, except that they are designed to be installed on a wall with a roof window. Our patented system of side guides ensures that the blind fabric completely covers the window recess, allowing for a cohesive interior design by using the same type of blind for different types of windows, including regular, roof, and knee windows. Moreover, one blind can cover multiple roof windows simultaneously.



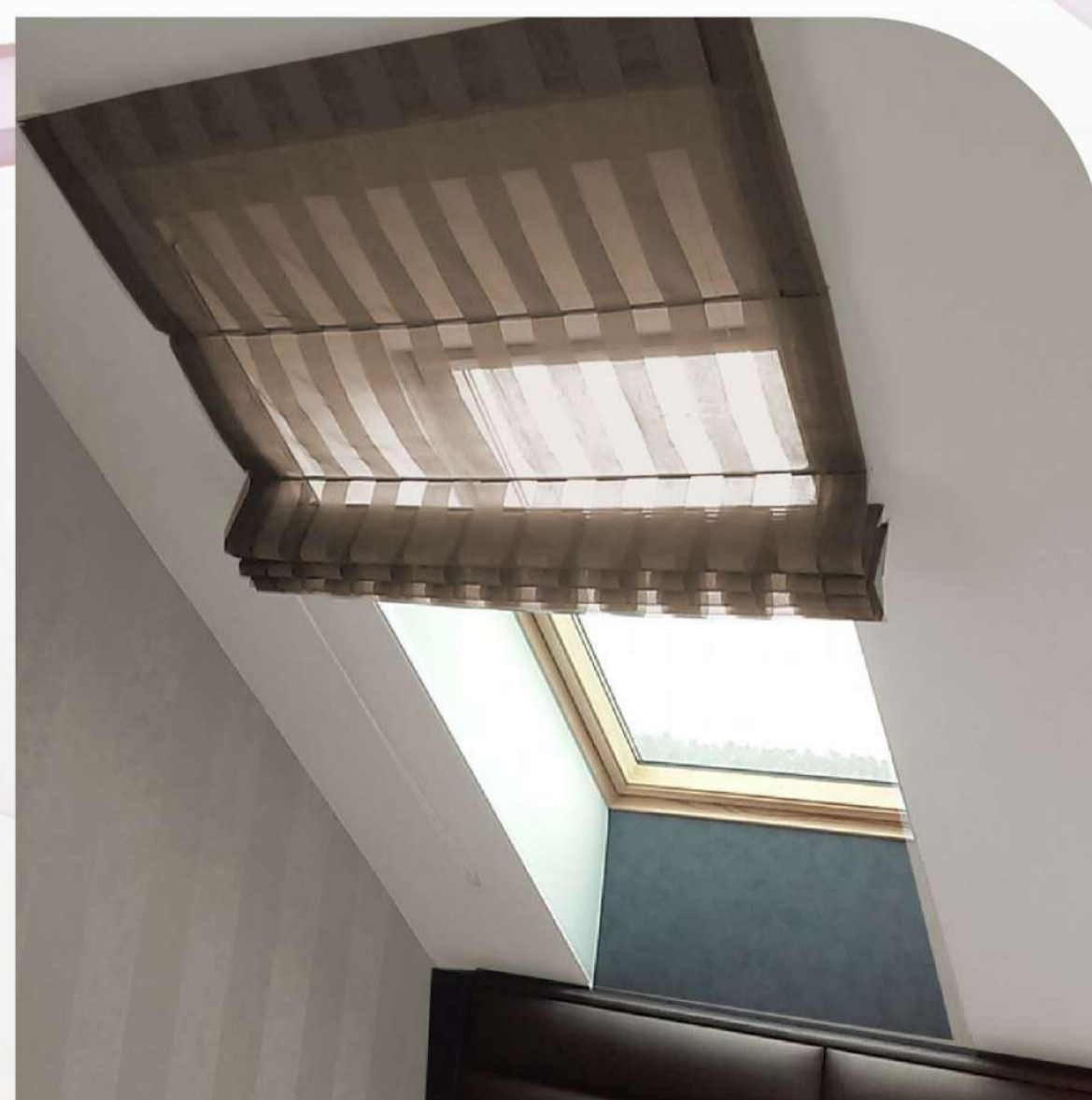
**Drawing 1.** Double Roman Knee Blind



**Drawing 2.** Triple Roman Knee Blind,



**Drawing 3.** Double Roman Knee Blind

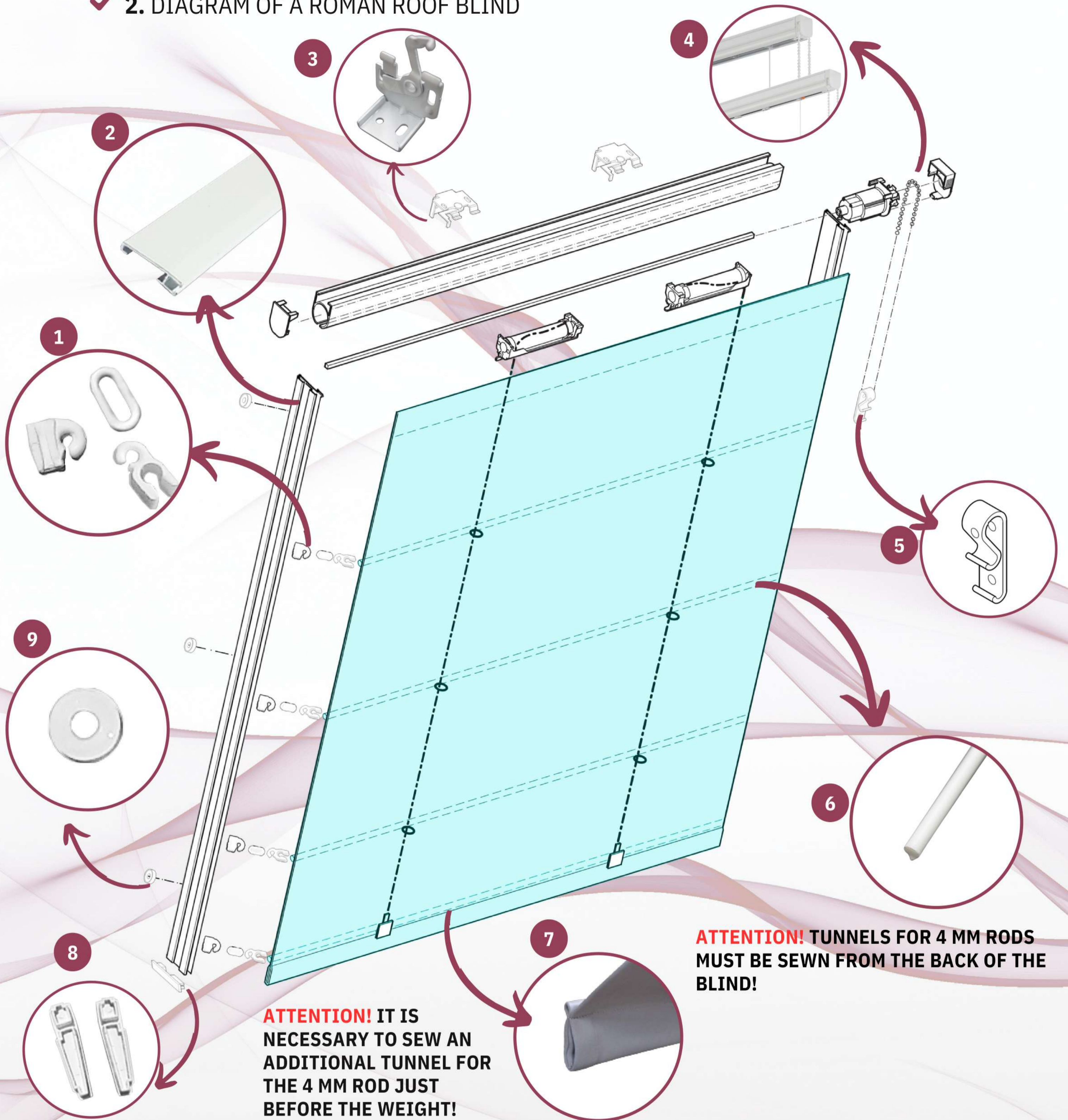


**Drawing 4.** Single Roman Roof Blind



# STANDARDS OF EXECUTION FOR ROMAN ROOFTOP BLIND

## ✓ 2. DIAGRAM OF A ROMAN ROOF BLIND



**ATTENTION!** IT IS NECESSARY TO SEW AN ADDITIONAL TUNNEL FOR THE 4 MM ROD JUST BEFORE THE WEIGHT!

**ATTENTION!** TUNNELS FOR 4 MM RODS MUST BE SEWN FROM THE BACK OF THE BLIND!

- 1 SET: ZIPPER, EYELET, AND CLIP FOR THE ROD.
- 2 SIDE GUIDE
- 3 UNIVERSAL HOLDER FOR ROMAN BLIND
- 4 ROMAN BLIND MECHANISM

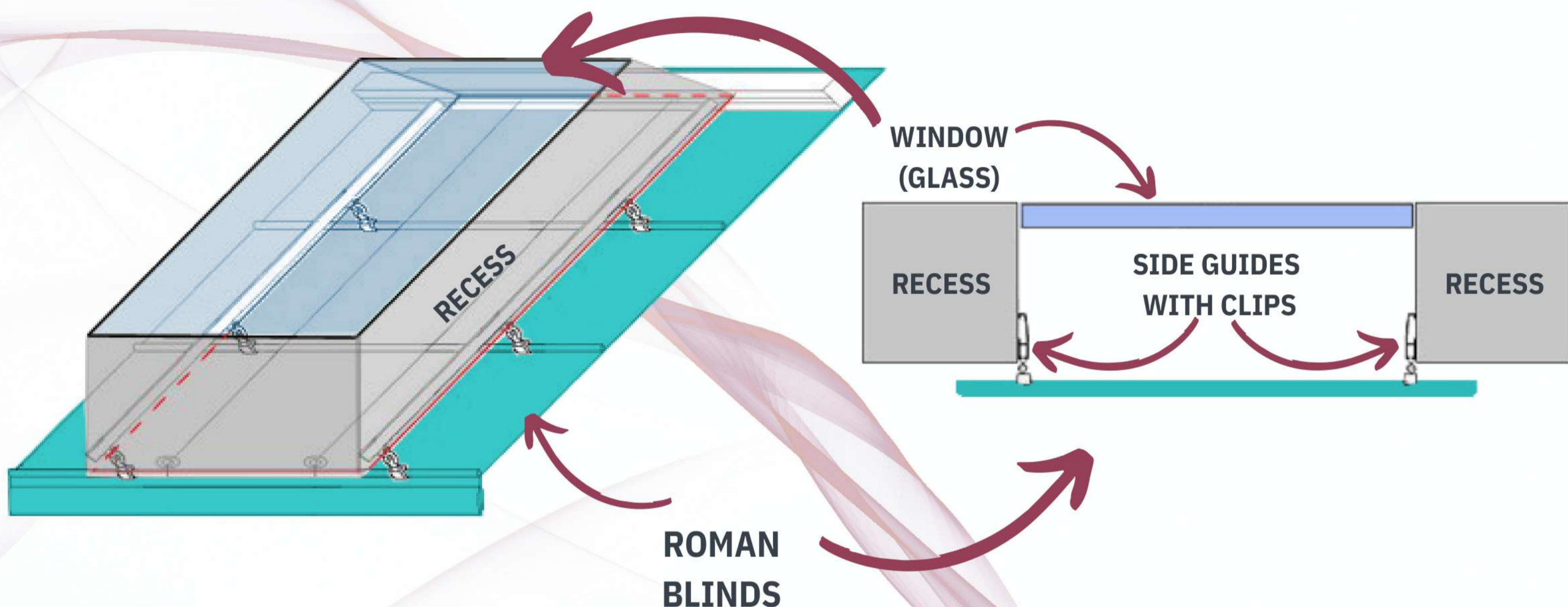
- 5 CHAIN TENSIONER
- 6 STIFFENING RODS 4 MM
- 7 TUNNEL FOR THE BLIND WEIGHT
- 8 GUIDE CAP
- 9 MOUNTING BRACKET FOR THE GUIDE

\*TYPES OF FABRICS TO CHOOSE FROM THE SAMPLE BOOK

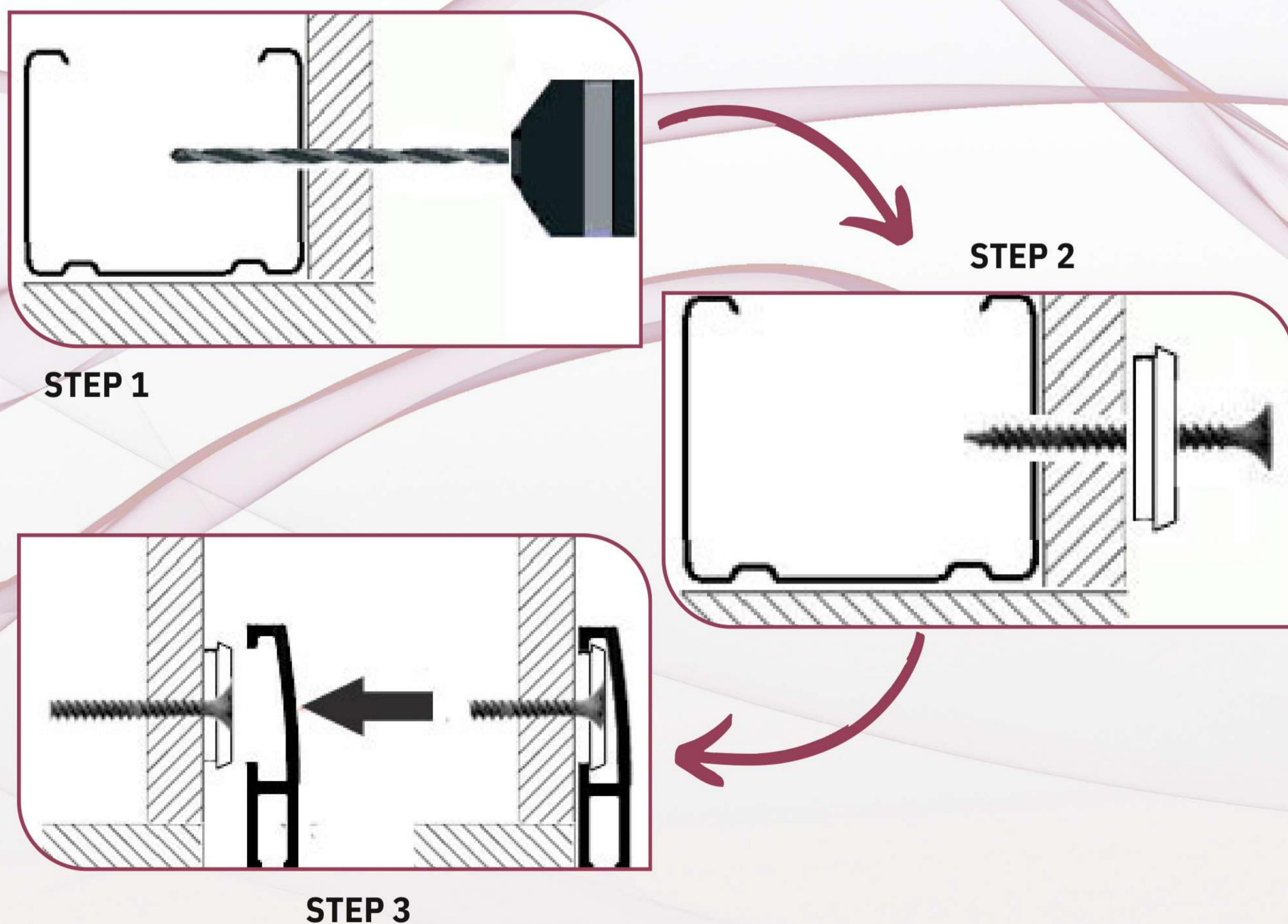


# STANDARDS OF EXECUTION FOR ROMAN ROOFTOP BLIND

## ✓ 3. ROMAN BLIND INSTALLATION DIAGRAM.



## ✓ 4. DIAGRAM OF INSTALLATION FOR SIDE GUIDES INTO RECESS





# STANDARDS OF EXECUTION FOR ROMAN ROOFTOP BLIND

WHITE SIDE GUIDE

ANODA SIDE GUIDE

## ✓ 5. ROMAN ROOF AND KNEE BLIND: SIDE GUIDES

The guides, with a cross-section of 5 mm by 28 mm, are mounted on the inner sides of the window recess, right at the edge. Meanwhile, the blind fabric is positioned in front of the recess and may extend beyond its outline on either side. As the blind is raised, the cords wind onto the spool, lifting the fabric and creating folds that are neatly stacked one below the other. The raised blind does not interfere with the opening and closing of the roof window in any way.



*BY*

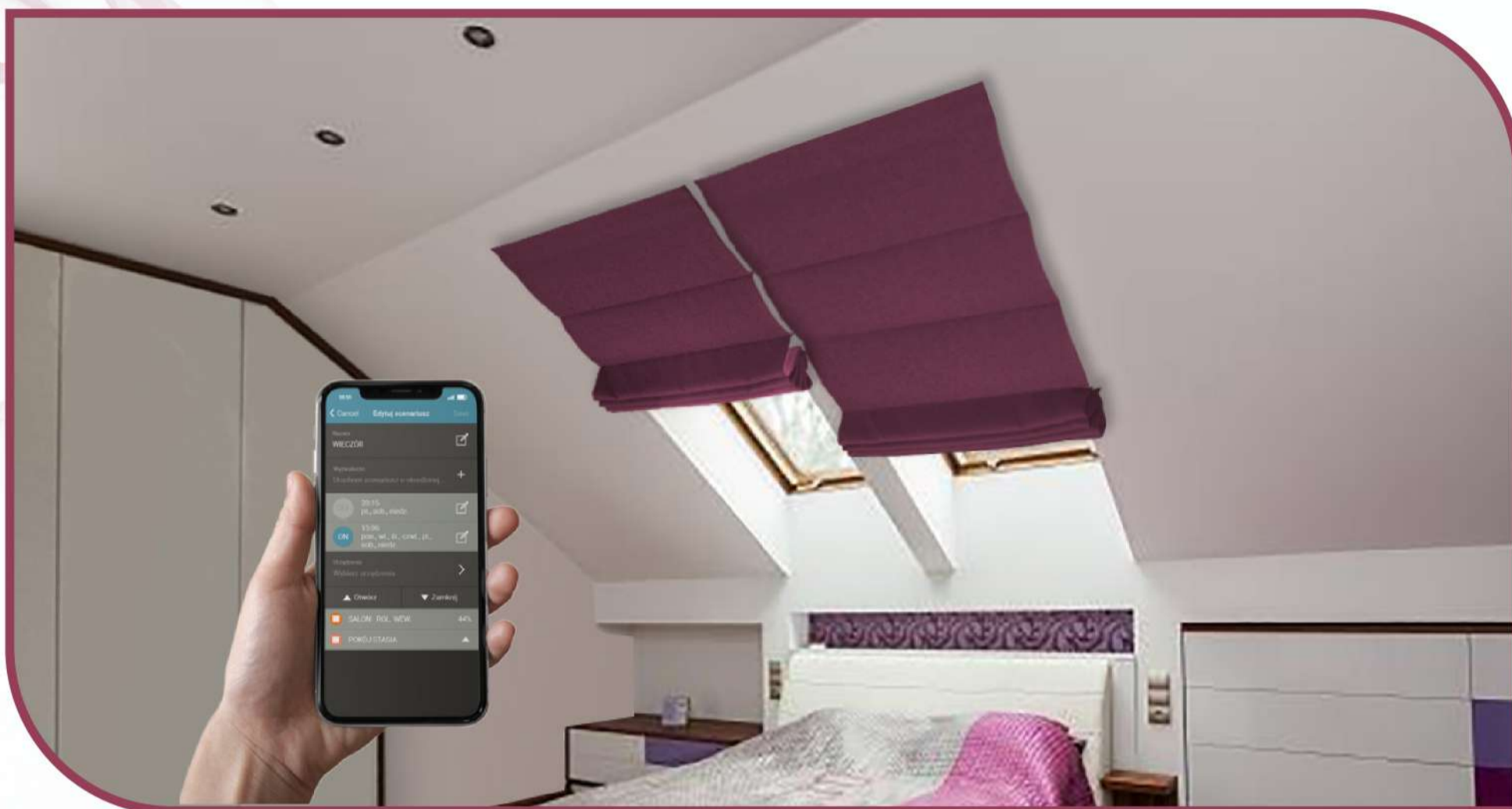




## STANDARDS OF EXECUTION FOR ROMAN ROOFTOP BLIND

### ✓ 6. ROMAN BLIND: EASY INSTALLATION/REMOVAL AND WASHING

This system allows for easy washing, as the blind fabric can be detached from the mechanism in a few seconds, facilitating maintenance. Installation is equally straightforward, as besides the brackets for the mechanism, only two guides are needed, which are mounted using 6-8 snaps for the entire system. Furthermore, in the case of redecoration, there is an option to replace the fabric, eliminating the need to purchase an entirely new blind. Our system accommodates any fabric, providing flexibility in choosing window decorations.



CORTINO

somfy®

### ✓ 7. ELECTRIC ROMAN BLIND 12V and 230V

System CITY is a robust mechanism with a long history and a 5-year warranty. Compared to previous versions, it has several improvements, such as a metal brake attachment with two screws and a lock for the drive rod. Additionally, the cord release system allows for easy and quick removal of the fabric for washing without the need for readjustment of the cords during reinstallation.

The main advantage of the CITY mechanism, however, is its adaptability to a 12V electric system. This means that if you decide to automate the blinds in the future, there is no need to purchase an entirely new system – just add the appropriate motors. This makes the CITY system a long-term investment, providing functionality and user convenience. With a larger cross-section mechanism (SYSTEM XL), it is possible to integrate 230V roller motors inside.





## "KAES" CURTAIN ROD EXECUTION STANDARD





# "KAES" CURTAIN ROD EXECUTION STANDARD

## ✓ 1. GENERAL INFORMATION AND EXECUTION STANDARDS

While it might seem that there's nothing particularly innovative left to offer in the window decoration industry, the sector regularly surprises its customers with interesting and user-friendly proposals equipped with intriguing technological solutions. Aluminum KAES system rails definitely belong to such modern options and provide an excellent alternative to traditional curtain rods. However, compared to their predecessors, they are better adapted to contemporary functional needs. Of course, the aesthetics of their design and unique patterns are also significant, making customers appreciate the KAES aluminum rail system for its aesthetic values.

## "KAES RAIL/CURTAIN ROD



### ASYMMETRIC SLIDERS

- Smooth and quiet operation with asymmetric sliders AS.
- Colors available: white and black.



### SLIDER WITH ROLLERS\*

- Smooth and quiet operation thanks to rubber rollers.
- Colors available: white and black.

- Possibility of bending the curtain rod 90° and in an arc.
- Powder-coated rails available in white and black.
- Small rollers ensure smooth and quiet operation.
- Possible wall mounting with new brackets.

## EASY INSTALLATION OF THE MANUAL SLIDING SYSTEM

### POWDER-COATED WHITE COLOR

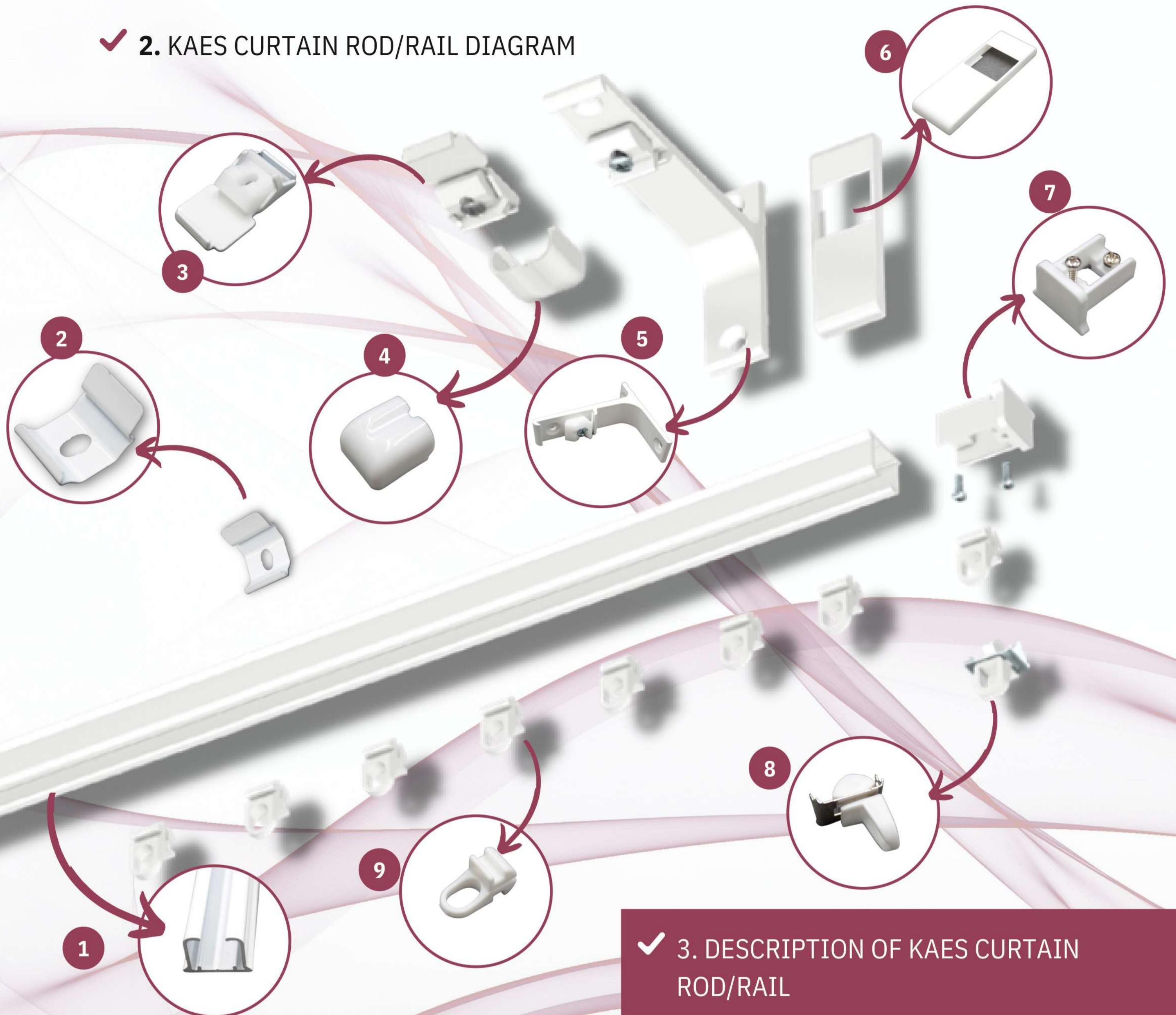
### POWDER-COATED BLACK COLOR

\*NOTE: Rollers with rollers cannot be used with curved rails



# "KAES" CURTAIN ROD EXECUTION STANDARD

## ✓ 2. KAES CURTAIN ROD/RAIL DIAGRAM



- 1 KAES RAIL
- 2 CEILING HOLDER CLIP
- 3 CEILING HOLDER SMART CLICK
- 4 SMART CLICK HOLDER CAP
- 5 WALL HOLDER SMART CLICK
- 6 SMART CLICK WALL HOLDER CAP
- 7 KAES RAIL CAP
- 8 TWIST STOPPER
- 9 ASYMMETRIC SLIDER WITH EYE

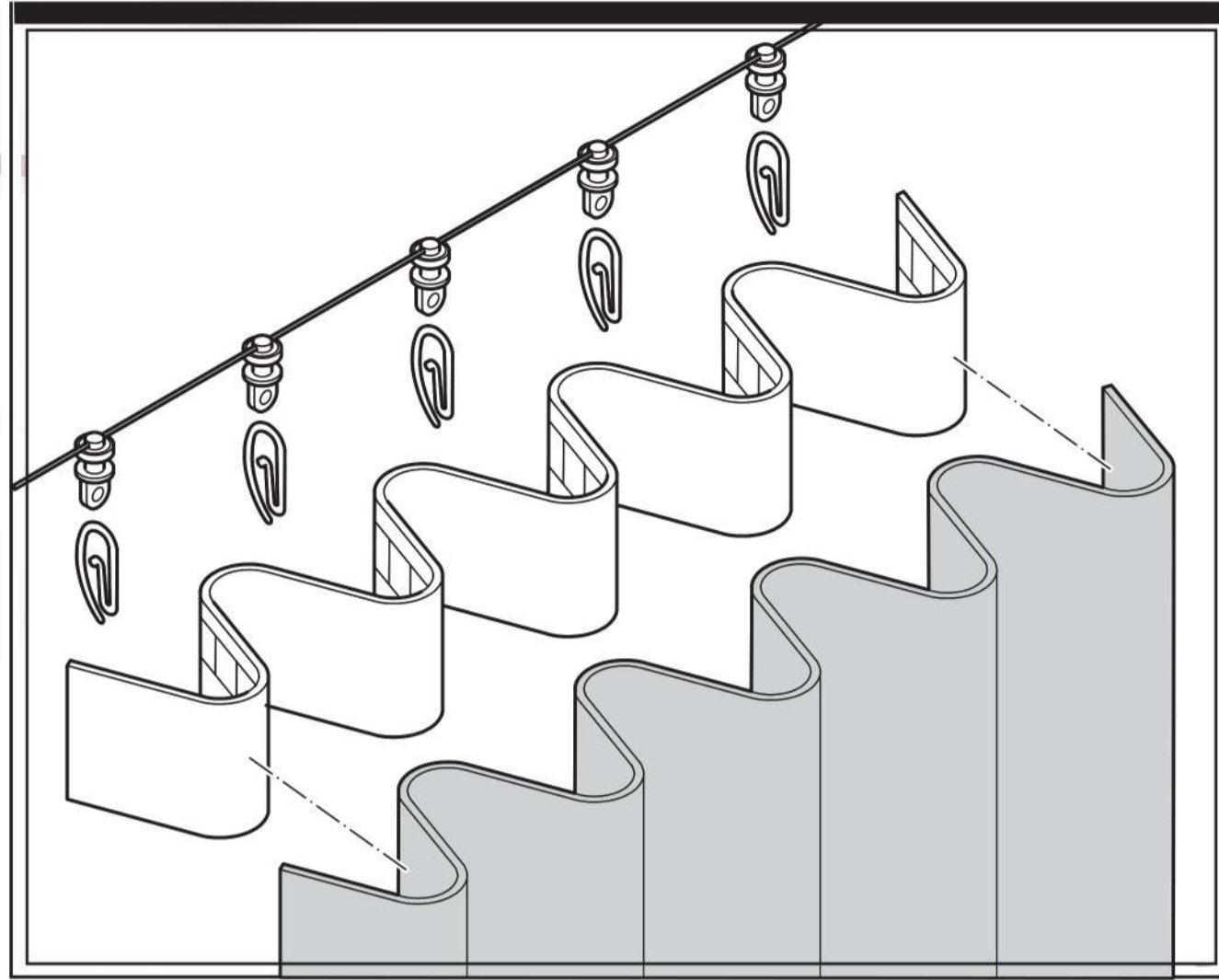
## ✓ 3. DESCRIPTION OF KAES CURTAIN ROD/RAIL

The aluminum rail system presented in this category, known as KAES, boasts numerous advantages that have made it one of the most popular choices since its introduction to the market. Users particularly appreciate its very quiet and smooth operation, making it easy to slide even heavier curtains without causing significant issues or generating additional noise in the room. It is also worth mentioning that the aluminum rail systems adapt to the shape of the window, making them easy to customize for specific needs and straightforward to install. Another notable advantage is the easy hanging of curtains facilitated by well-designed sliders.

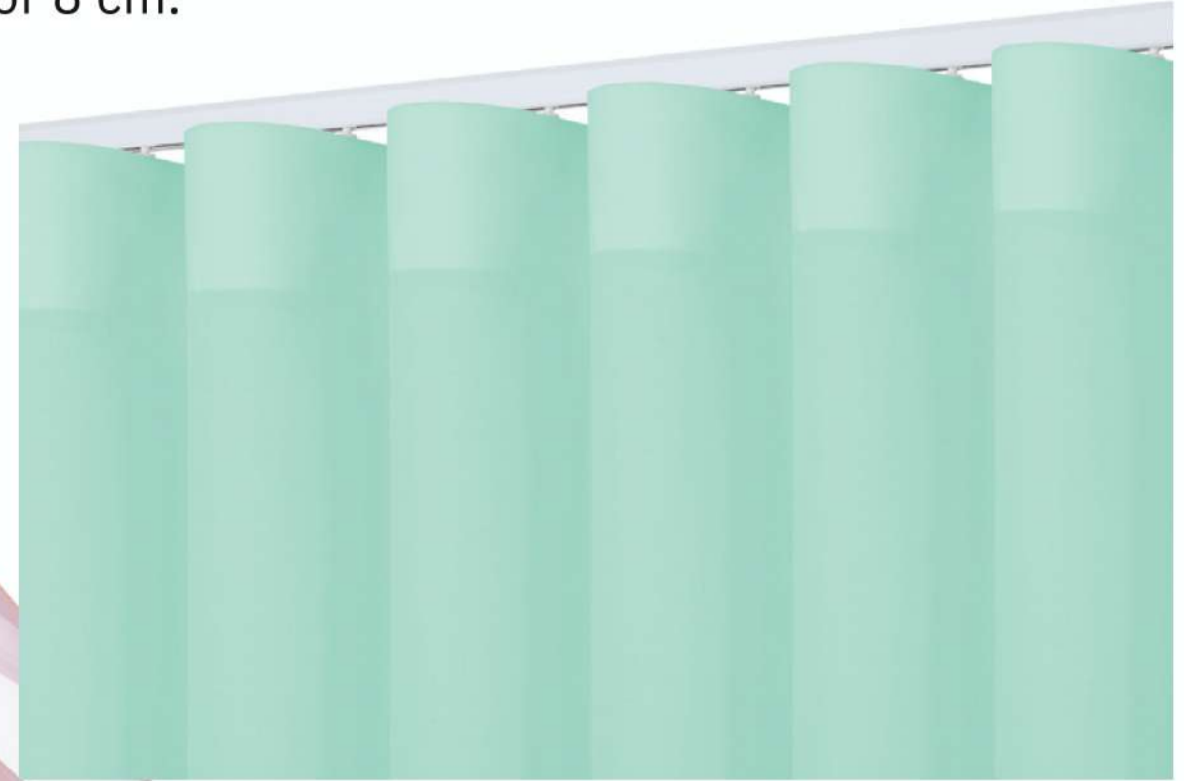


# "KAES" CURTAIN ROD EXECUTION STANDARD

## ✓ 3. WAVE SYSTEM FOR KAES CURTAIN ROD/RAIL



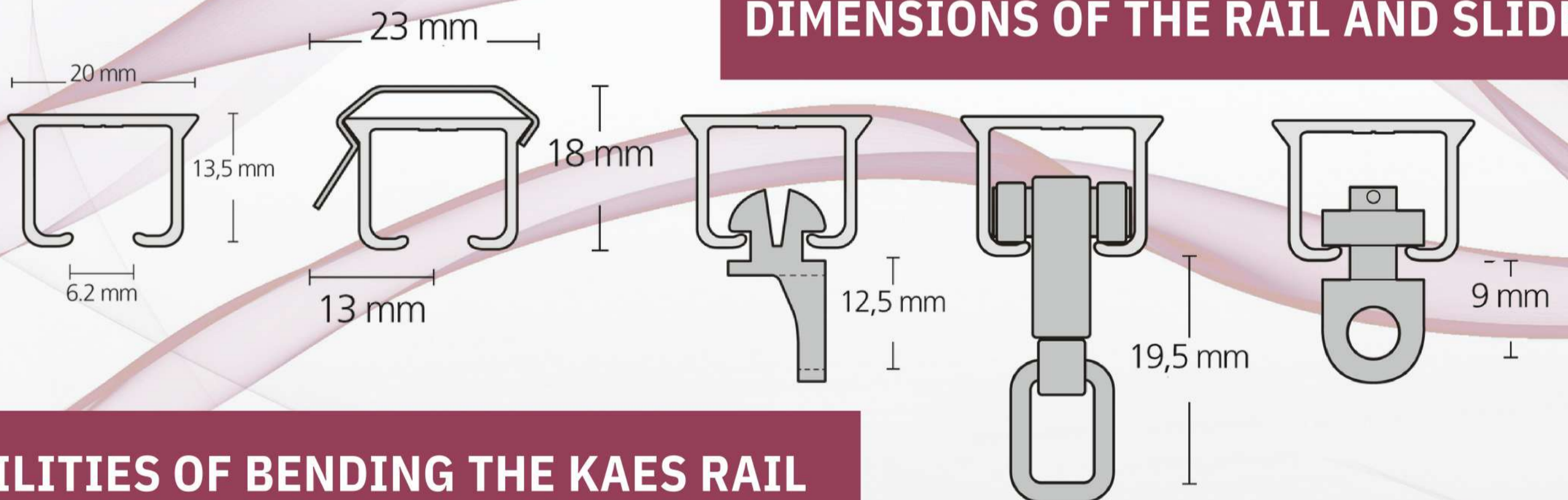
The WAVE system for the KAES curtain rail is available in white and black. The distance between the sliders connected by a cord is 6 cm or 8 cm.



### WAVE SYSTEM FOR KAES CURTAIN ROD



### DIMENSIONS OF THE RAIL AND SLIDERS



### POSSIBILITIES OF BENDING THE KAES RAIL







## STANDARDS OF EXECUTION FOR SOMFY SLIM ELECTRIC CURTAIN ROD

somfy®



SOMFY SLIM





# STANDARDS OF EXECUTION FOR SOMFY SLIM ELECTRIC CURTAIN ROD

## ✓ 1. GENERAL INFORMATION AND EXECUTION STANDARDS

Somfy Slim Electric Curtain Rods: Despite the impression that there may be nothing particularly innovative left in the field of window arrangements, the industry regularly surprises its customers with interesting and convenient daily-use proposals equipped with innovative technological solutions. The SLIM aluminum system rails with electric drive from SOMFY definitely belong to such modern options and serve as an excellent alternative to traditional curtain rods. Compared to their predecessors, they are characterized by better adaptation to contemporary functional needs. Of course, the aesthetics of their design and unique styling are also significant, making customers appreciate Somfy Slim curtain rods for their aesthetic qualities.

### SLIM RAIL/CURTAIN ROD



somfy®



#### ASYMMETRIC SLIDERS

- Smooth and silent operation with asymmetric AS CLIK sliders.
- Colors: white and black



#### ROLLER SLIDER\*

- Smooth and silent operation thanks to rubber rollers.
- Colors: white and black.



#### REINFORCED SLIDER

- Greater resistance to loads.
- Colors: white and black.



**POWDER-COATED WHITE  
COLOR**

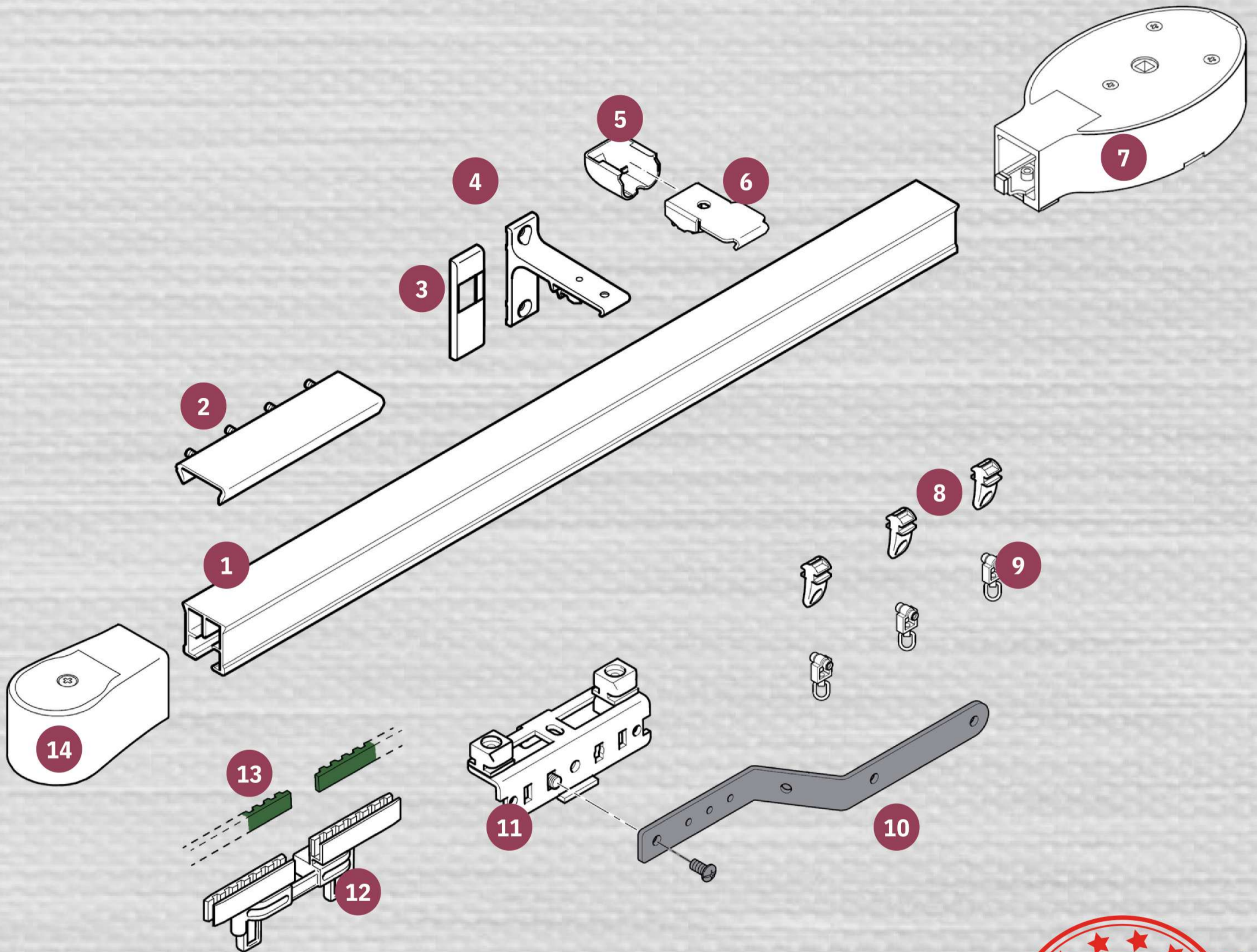


**POWDER-COATED BLACK  
COLOR**

\*NOTE: Sliders with rollers should not be used with curved rails.

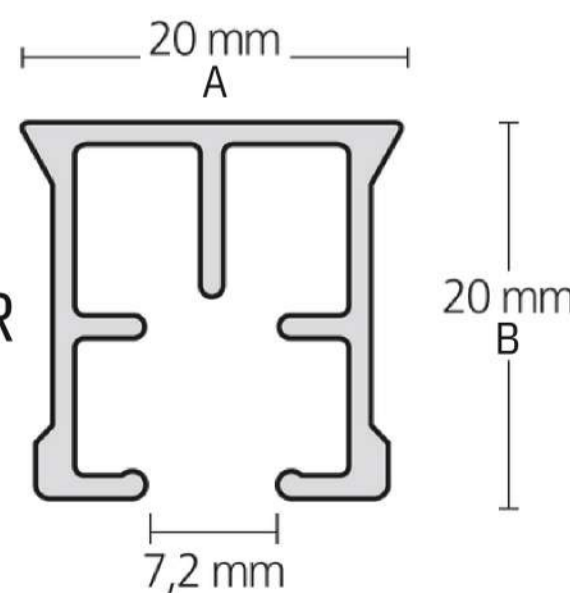


# STANDARDS OF EXECUTION FOR SOMFY SLIM ELECTRIC CURTAIN ROD



- 1 SOMFY SLIM RAIL
- 2 EXTERNAL RAIL CONNECTOR
- 3 WALL BRACKET COVER
- 4 1-TRACK WALL BRACKET
- 5 SMART-KLIK BRACKET COVER
- 6 SMART-KLIK CEILING BRACKET
- 7 SOMFY MOTOR LOCK
- 8 AS SLIDER: WHITE OR BLACK ROLLER
- 9 SLIDER: WHITE OR BLACK\*
- 10 GUIDE ARM
- 11 CARRIER
- 12 DRIVE BELT CONNECTOR

- 13 DRIVE BELT
- 14 TURNING PULLEY



**Dimension A / Dimension B / Dimension C / Length / Weight per meter (pm).**

20 mm / 20 mm / 7,2 mm / 5800 mm / 0,27 Kg

**Material: Aluminum**

**Color: White**

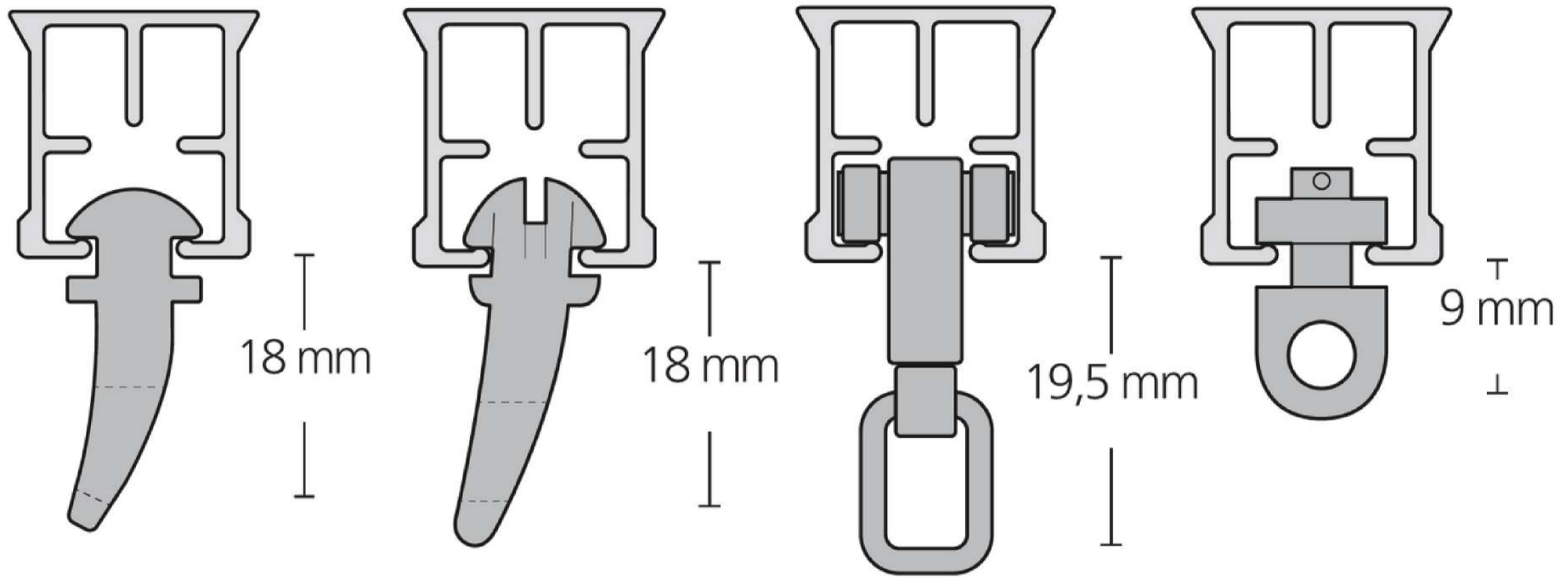


\*NOTE: Sliders with rollers should not be used with curved rails.



# STANDARDS OF EXECUTION FOR SOMFY SLIM ELECTRIC CURTAIN ROD

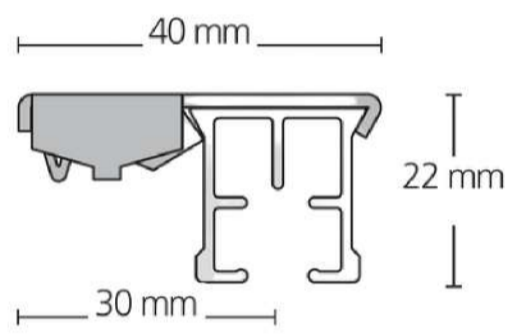
## DIMENSIONS OF SLIDERS



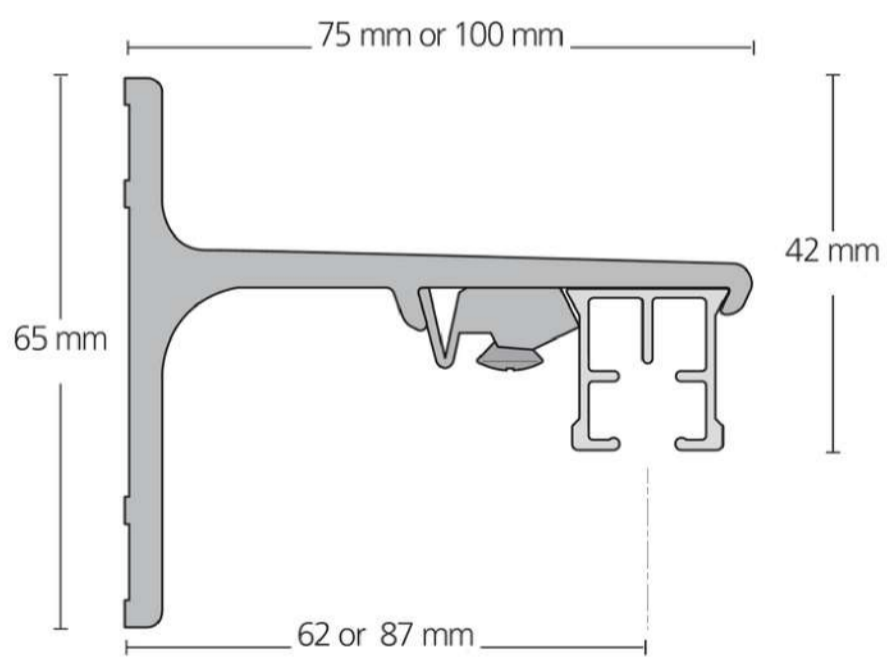
- AS slider with eyelet
- Reinforced AS slider
- Slider with roller\*
- WAVE slider

\*NOTE: Sliders with rollers should not be used with curved rails.

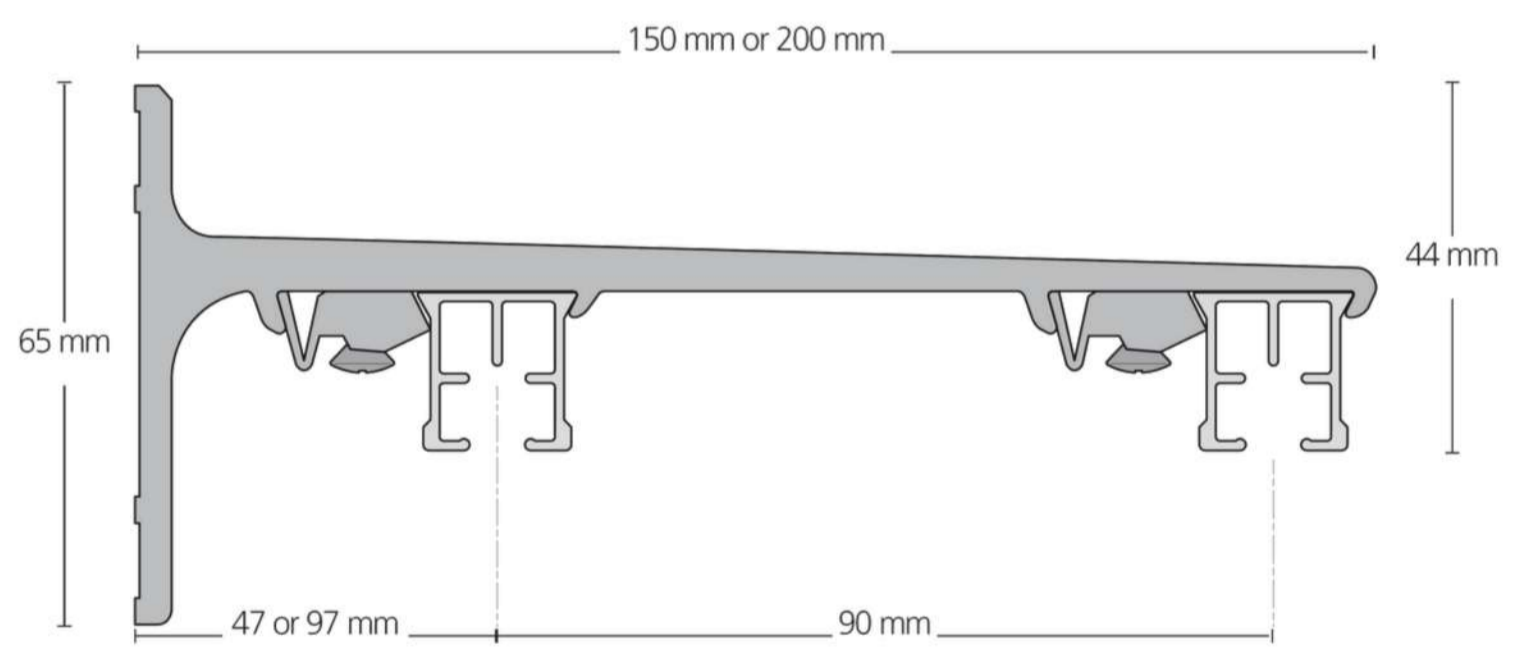
## DIMENSIONS OF BRACKETS



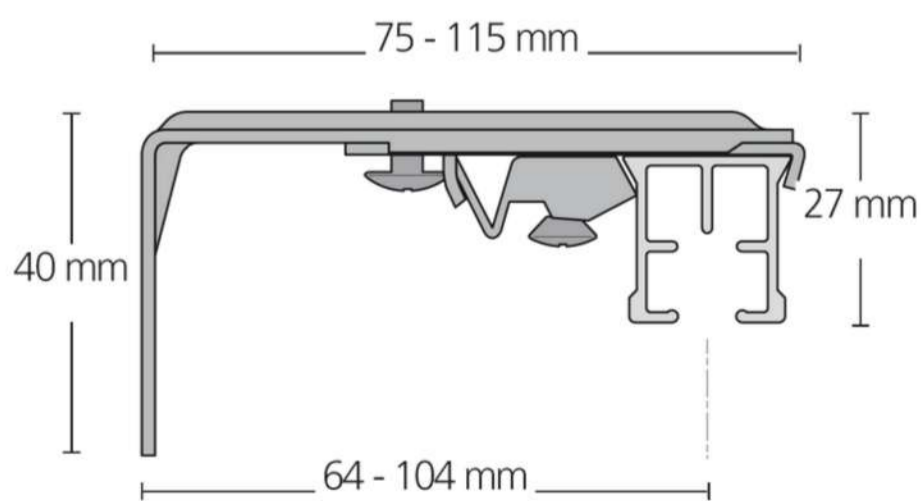
- Smart-Click bracket



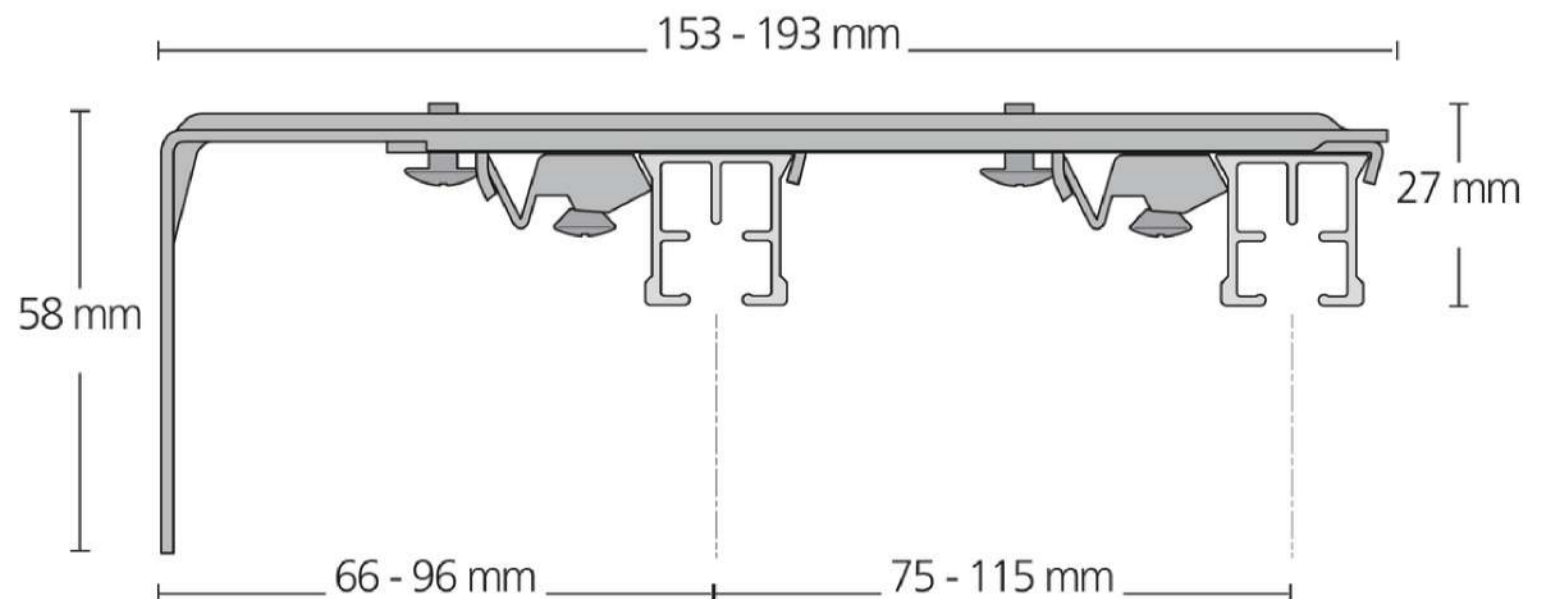
- Wall bracket 1 track



- Wall bracket 2 tracks



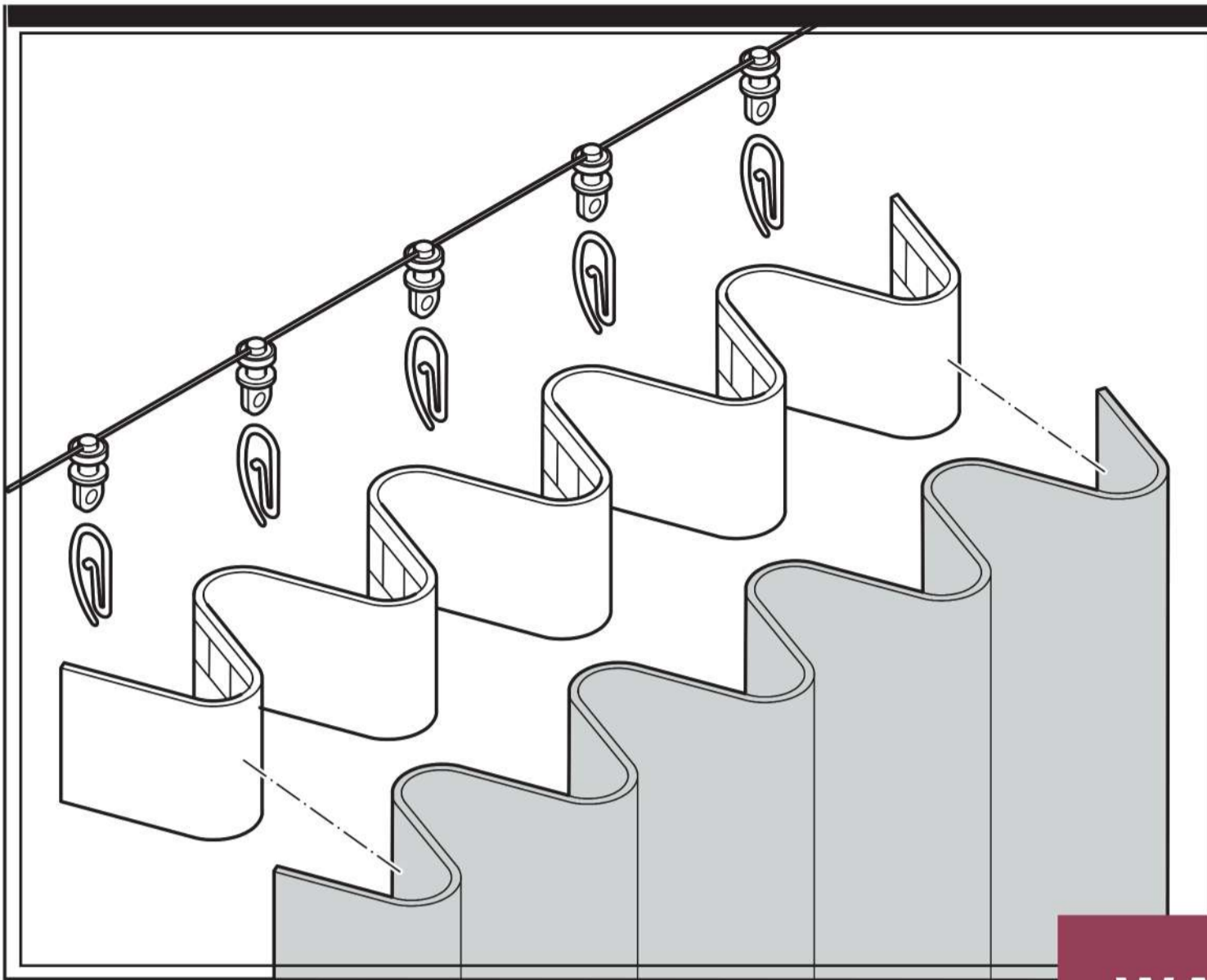
- Adjustable wall bracket 1 track



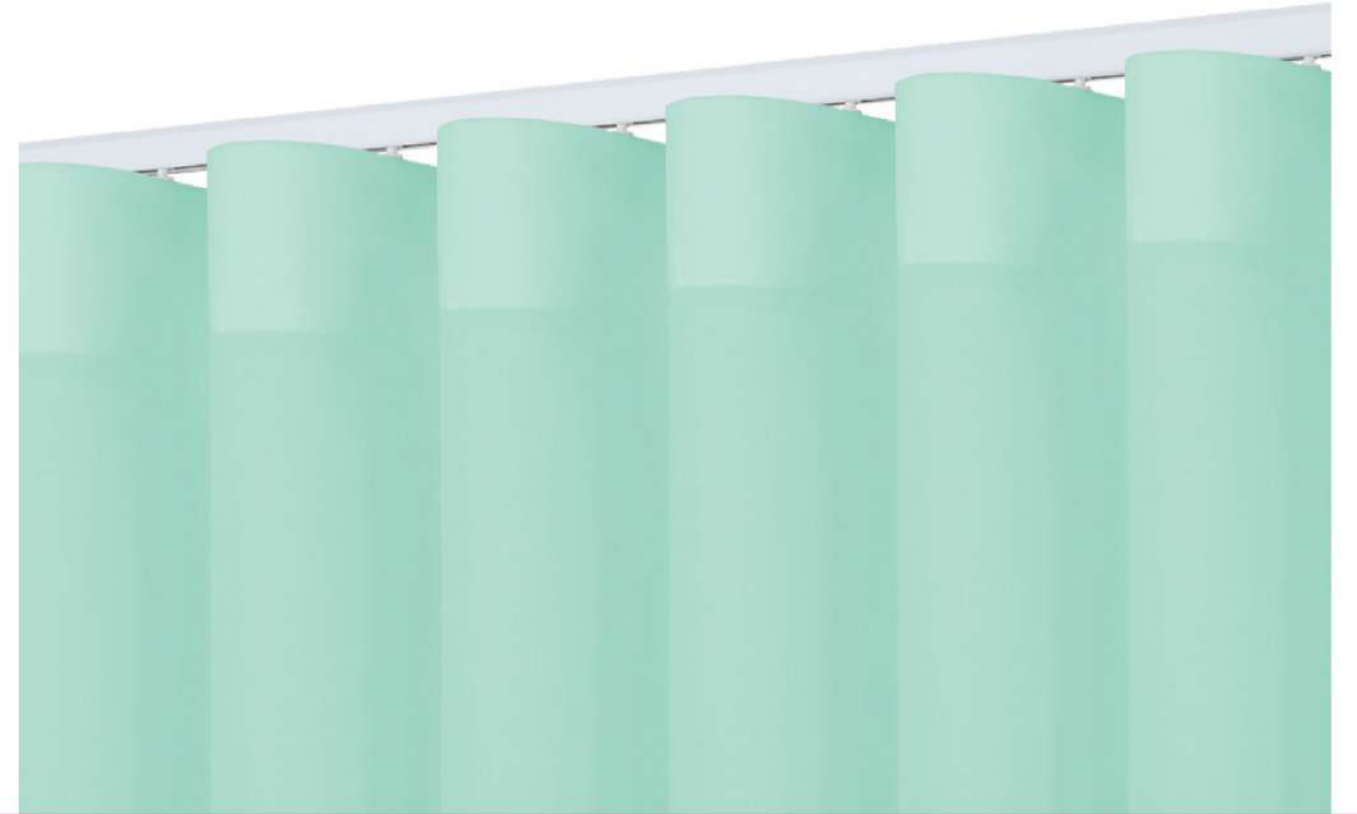
- Adjustable wall bracket 2 tracks



# STANDARDS OF EXECUTION FOR SOMFY SLIM ELECTRIC CURTAIN ROD



The WAVE system for the SLIM curtain rail is available in white and black. The distance between the sliders connected by a cord is 6 cm or 8 cm.



## WAVE SYSTEM FOR SOMFY CURTAIN ROD



## BENDING OPTIONS FOR SLIM RAIL

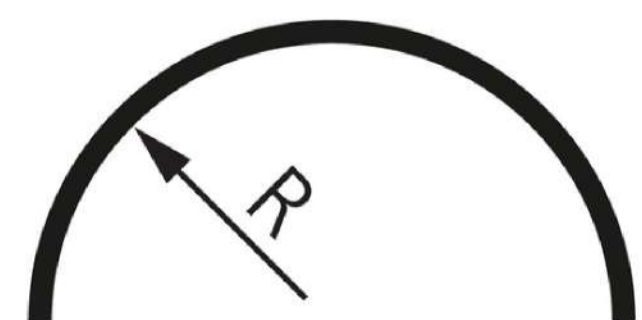
- Possibility to bend the curtain rod at a 90° angle or in an arc.
- Rails powder-coated in white and black colors.
- Small rollers ensure smooth and quiet operation.
- Possible wall mounting thanks to new brackets.



Min. R:  
200 mm



Min.  
Interval  
600 mm



Min. R:  
500 mm



# STANDARDS OF EXECUTION FOR SOMFY SLIM ELECTRIC CURTAIN ROD



	WIRELESS POWER SUPPLY			WIRED POWER SUPPLY		
	Irismo 45 WireFree	Movelite 35 WireFree	Movelite 35 WT/RTS/DCT	Glydea Ultra 30 WT/RTS/DCT	Glydea Ultra 60 WT/RTS/DCT	
Power	Lithium battery 2950 mAh 24V + network charger	Lithium battery 650 mAh 14.8 V, 2 A + USB charger	90 - 255V, 50 - 60Hz	90 - 255V, 50 - 60Hz	90 - 255V, 50 - 60Hz	
Motor power	0,8 Nm	0,6 Nm	0,6 Nm	0,6 Nm	1,0 Nm	
Operating noise	39 dBA	41 dBA	41 dBA	Quiet mode 38 dBA	Quiet mode 38 dBA	
Maximum curtain weight	max. 45 kg	max. 35 kg	max. 35 kg	max. 35 kg	max. 60 kg	
Speed	12,5-20 cm/s	15 cm/s	15 cm/s	Default mode: 15 cm/s   Standard mode: 12.5 cm/s – 20.0 cm/s   Quiet mode: 7.5 cm/s		
Touch Motion function	✓	✓	X ✓ X	X ✓ X	X ✓ X	
WAVE function for fabric waving	✓	✓	✓ ✓ ✓	✓ ✓ ✓	✓ ✓ ✓	
Bending capability	✓	✓	✓ ✓ ✓	✓ ✓ ✓	✓ ✓ ✓	

- Designed for both phase motors and radio-controlled motors.
- Ability to integrate directly with the SOMFY smart home system.



## TAHOMA SWITCH\*

\*Compatible only with radio-controlled motors from SOMFY



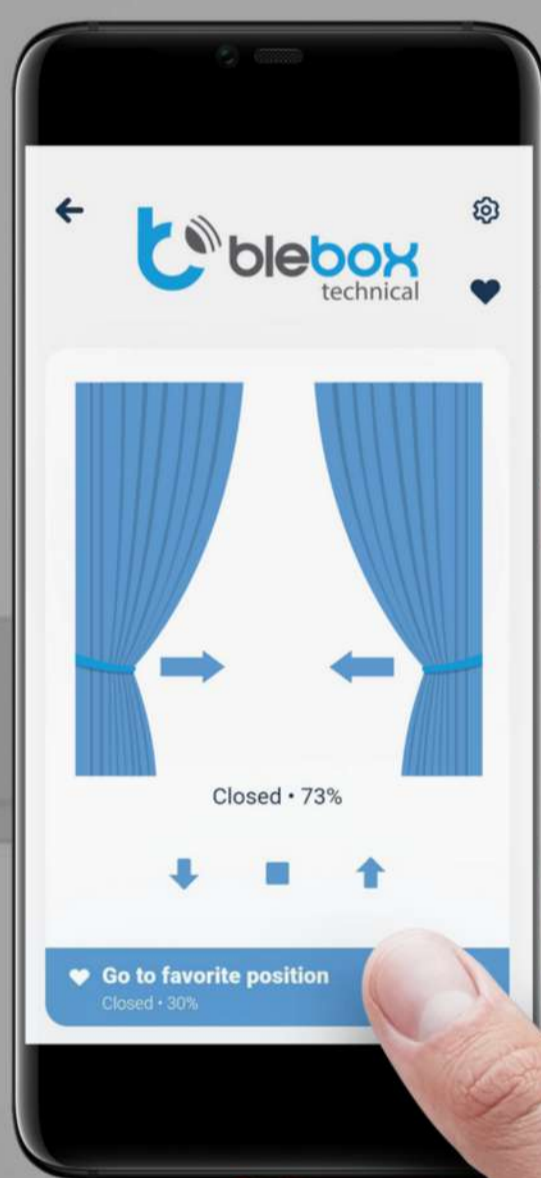




STANDARDS OF PERFORMANCE FOR ELECTRIC CURTAIN ROD  
UNIVERSAL AM68

UNIVERSAL

AM 68+BLEBBOX





# STANDARDS OF PERFORMANCE FOR ELECTRIC CURTAIN ROD UNIVERSAL AM68

## 1. GENERAL INFORMATION AND STANDARDS OF PERFORMANCE

The Electric Curtain Rod Universal is an ideal solution for individuals who want to control their curtains in a simple and convenient way using various methods simultaneously. The AM68 motor, when combined with the BLEBOX: Shutterbox 2.0 module, allows easy control of the curtains through a remote control, wired switch, RJ connector (without potential), wBox application on a smartphone, and even through the "Touch Motion" function, allowing control by pulling the fabric.

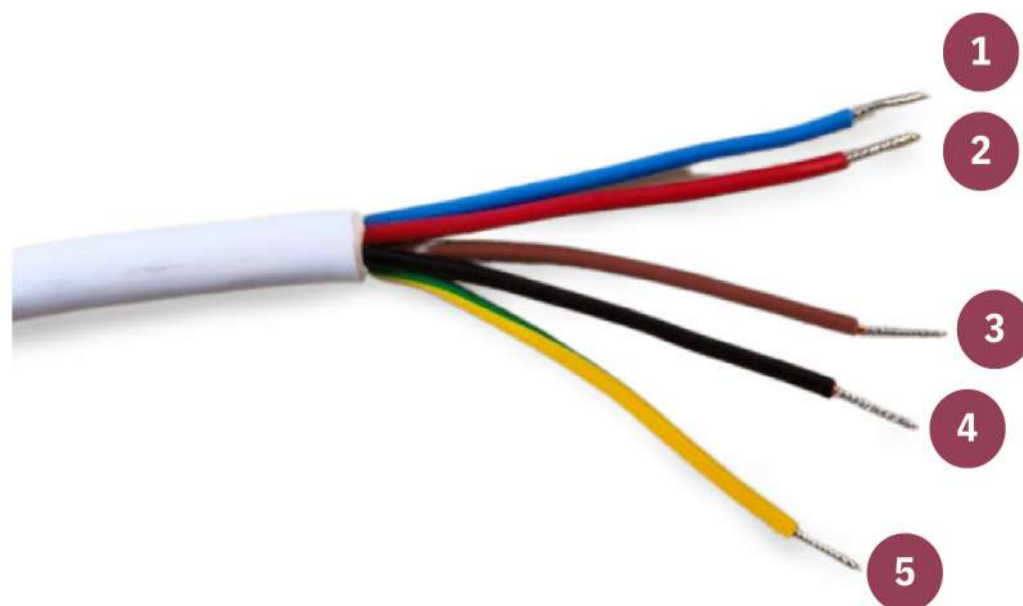
One of the main advantages of the Electric Curtain Rod Universal is its flexible and super quiet design, enabling smooth adjustment of the curtain's speed. Additionally, the AM68 motor remembers the automatic setting, allowing users to easily and quickly transition between different curtain positions.

The memory function retains the last set curtain position, and the "Touch Motion" touch control feature enables quick and convenient adjustment with a gentle touch. The Electric Curtain Rod has a wide operating voltage and fabric rebound correction, making it easy to control curtain movement. This motor also features high-voltage control and a third limit position, enhancing user safety.

Thanks to the easy installation of the Electric Curtain Rod, it can be easily mounted on any wall or ceiling, allowing users to customize the curtains according to their needs and preferences. All these features make the Electric Curtain Rod Universal an excellent solution for those who want to control their curtains in a simple, modern, and comprehensive way in their homes.



## MOTOR UNIVERSAL AM68



- 1 Wire Blue: Neutral
- 2 Wire Red: Power Phase
- 3 Wire Brown: Control Phase 1
- 4 Wire Black: Control Phase 2
- 5 Wire Yellow-Green: Ground



# STANDARDS OF PERFORMANCE FOR ELECTRIC CURTAIN ROD UNIVERSAL AM68

UNIVERSAL AM68

## 2. Motor Specification and Performance Standards

Power:	Power AC 100-230V/240V 50/60Hz
Motor Power:	65W
Dimensions:	310mm x 68mm x 50mm
Torque:	1,5Nm
Maximum Load Capacity:	max. 90Kg
Maximum Speed:	14 cm./sec
End Position Settings:	Electronic
"Touch Motion" Feature	Yes
Control Type:	Radio RTS, Wired WT, Without potential DCT.

## SMART CONTROL



## 3. SPECIFICATION AND CONTROL OPTIONS THROUGH SHUTTERBOX

The Shutterbox, when connected to the Universal Electric Curtain Rod AM68, enables remote control of curtains via a smartphone. Thanks to the control application from Blebox, it is possible to move to the desired position and set a schedule, including an astronomical clock, allowing control of curtains based on the sunrise and sunset times according to the geographical location. Using a smartphone, you can control the curtains from anywhere in the world and create scenes and groups, enabling simultaneous control of multiple Shutterbox controllers, including curtain rods, external blinds, or even lighting. The curtain rod also allows for intelligent opening and closing of curtains, for example, by giving the command "close the curtains to 70%," avoiding the need to hold the button. The curtain rod can also be connected to voice assistants like Google Home and Alexa, allowing voice control of the curtains. The Universal Electric Curtain Rod AM68, in conjunction with the Shutterbox cube, enables even easier and more advanced control of curtains.



# STANDARDS OF PERFORMANCE FOR ELECTRIC CURTAIN ROD UNIVERSAL AM68

## 4. EXAMPLES OF CONTROL OPTIONS WITH SHUTTERBOX + AM 68 MOTO

### PHASE CONTROL WT



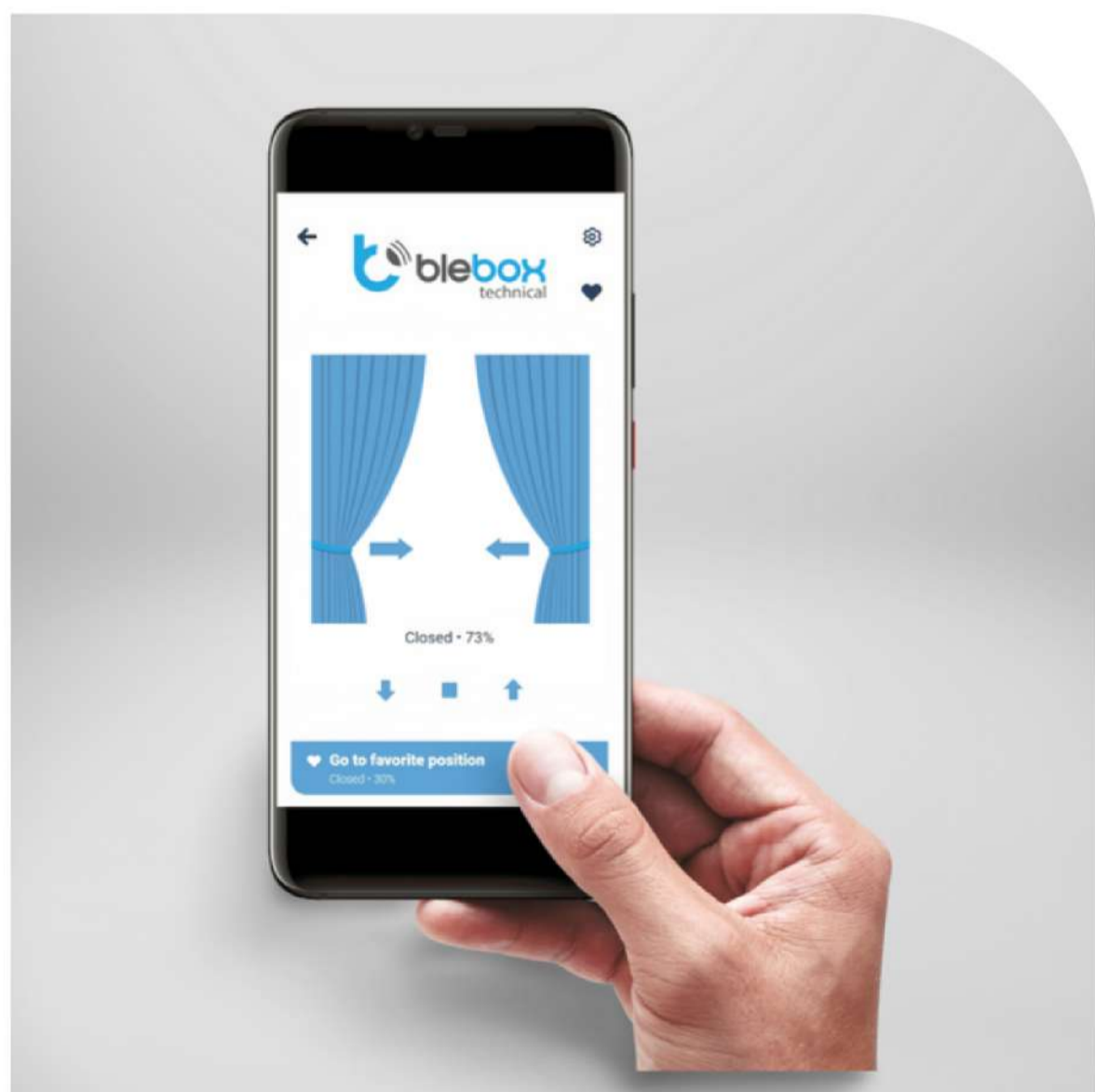
Phase wall switch control or RJ connector control

### RADIO CONTROL RTS



Remote control via a remote control

### CONTROL THROUGH THE APPLICATION



wBox application available at:



### VOICE CONTROL



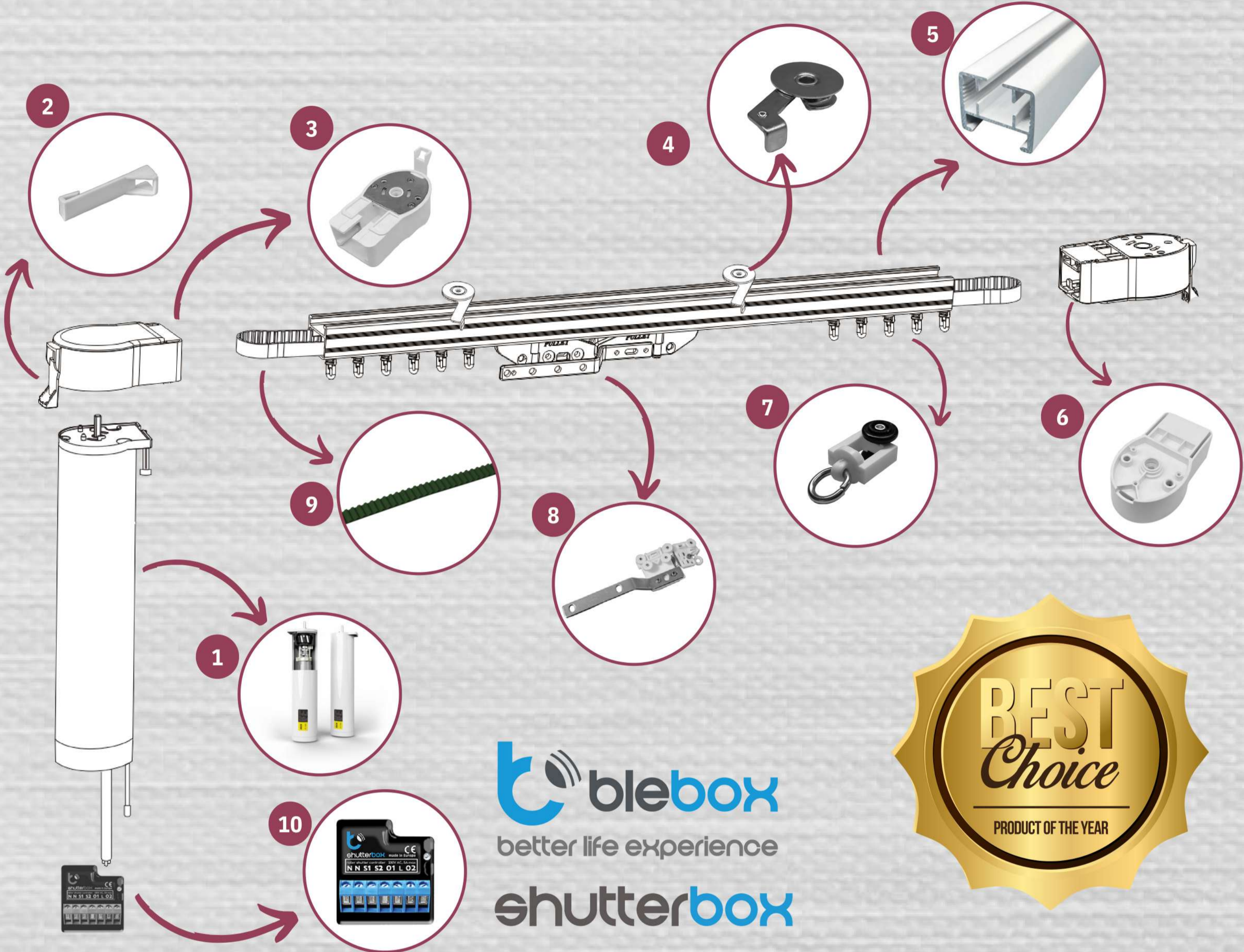
Integrations with voice assistants:





# STANDARDS OF PERFORMANCE FOR ELECTRIC CURTAIN ROD UNIVERSAL AM68

## 5. CONSTRUCTION OF THE CURTAIN RAIL WITH SHUTTERBOX + AM 68 MOTOR

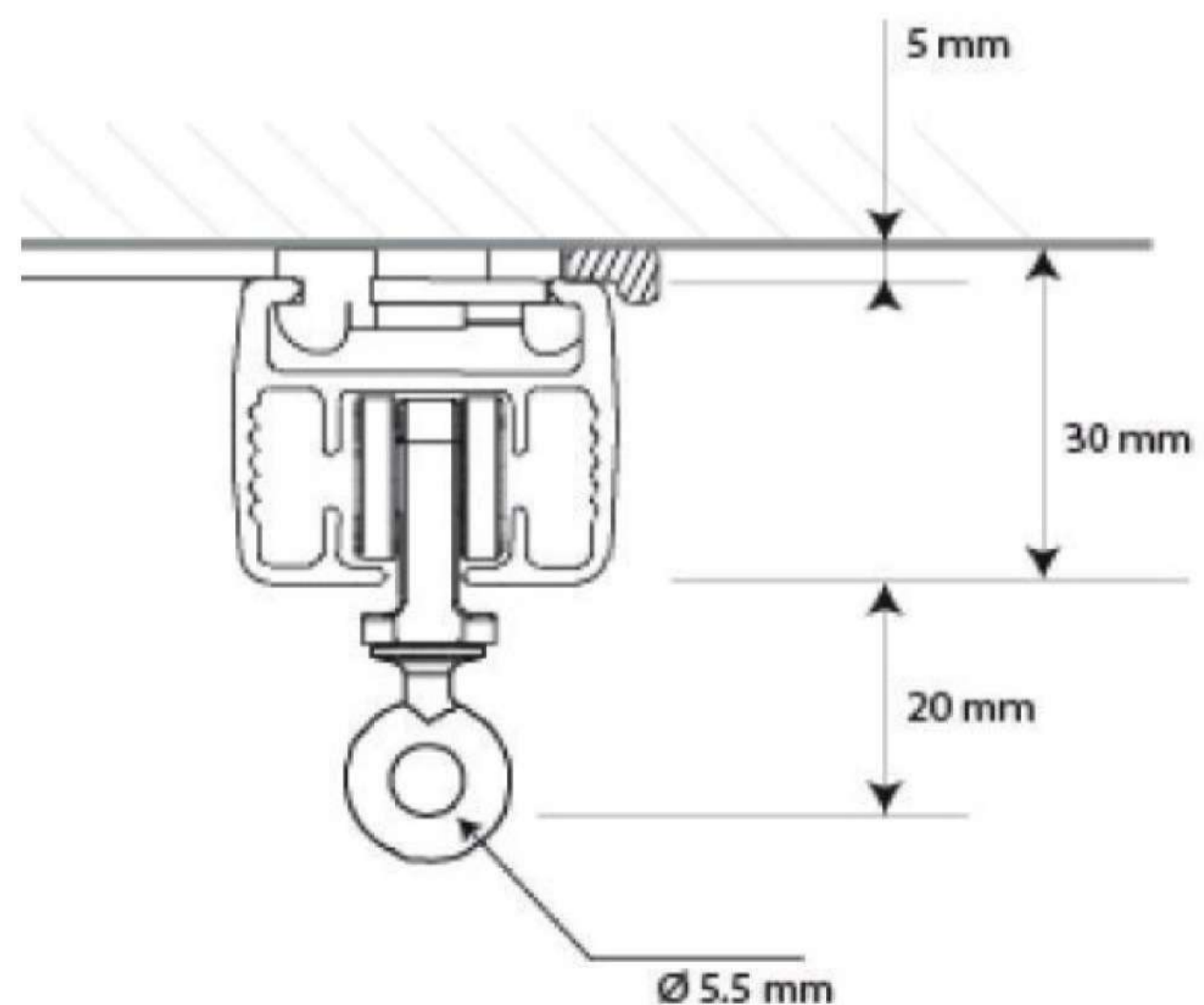


**blebox**  
better life experience  
**shutterbox**



- 1 UNIVERSAL AM68 MOTOR (5 WIRES)
- 2 END HOOK
- 3 AM 68 MOTOR BLOCK
- 4 CEILING SNAIL BRACKET
- 5 "MAX" CURTAIN RAIL
- 6 TURNING BLOCK
- 7 SLIDE WITH METAL EYELET ON A ROLLER
- 8 GUIDING ARM
- 9 DRIVE BELT
- 10 \*SHUTTERBOX MODULE FROM BLEBOX

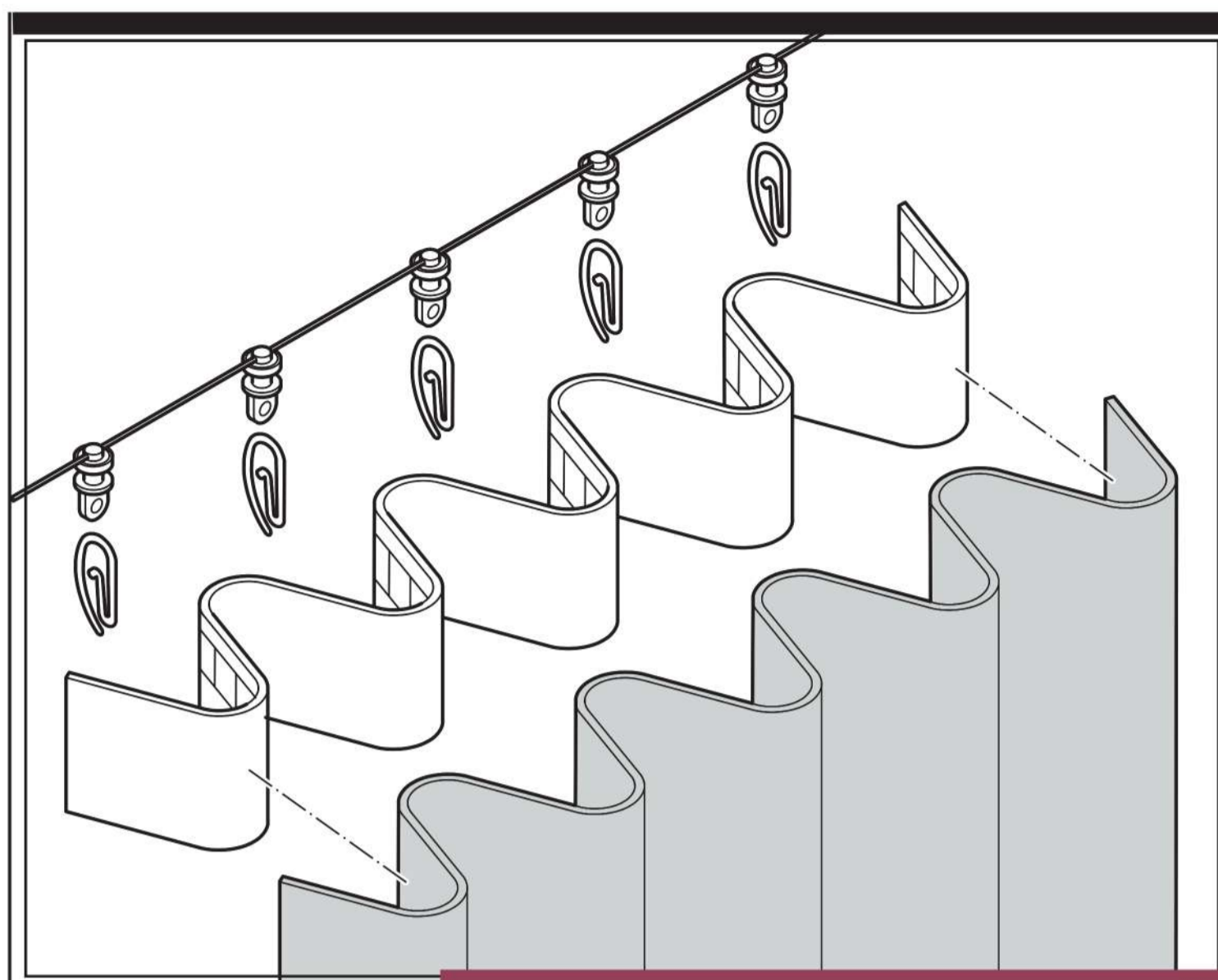
\*Connection diagram available in the manual.





# STANDARDS OF PERFORMANCE FOR ELECTRIC CURTAIN ROD UNIVERSAL AM68

## 6. DECORATIVE SYSTEM AND BENDING OPTIONS



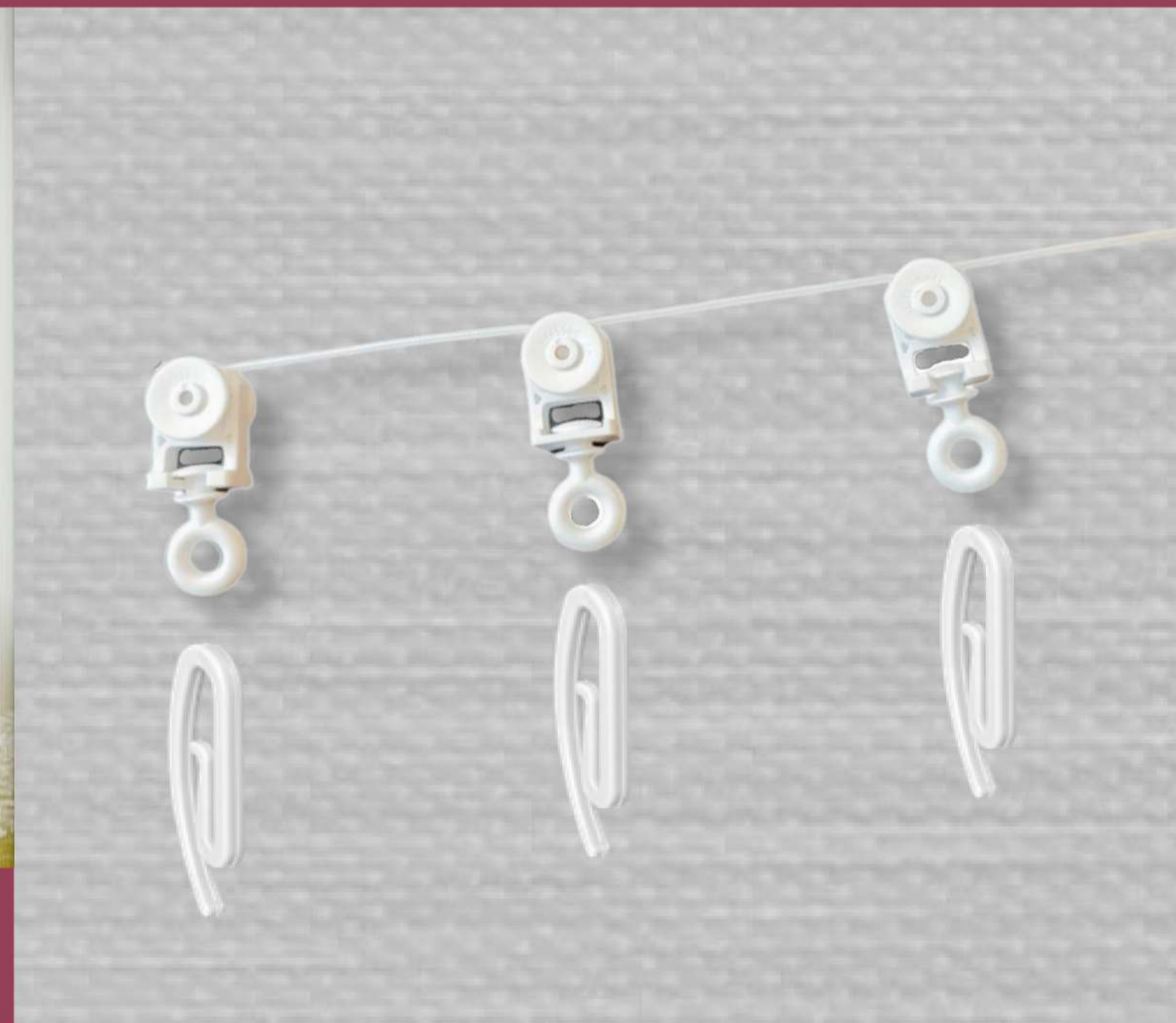
The WAVE system for the UNIVERSAL curtain rail is available in white and black. The distance between the sliders connected by a cord is 6 cm or 8 cm.



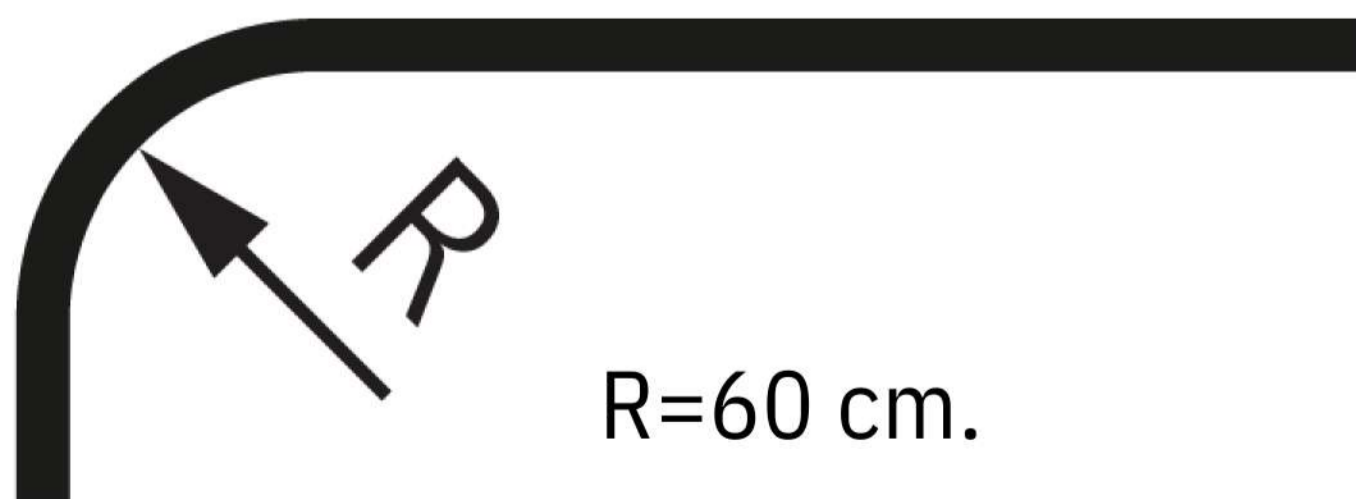
## WAVE SYSTEM FOR UNIVERSAL AM68 CURTAIN RAIL



## RAIL BENDING POSSIBILITIES



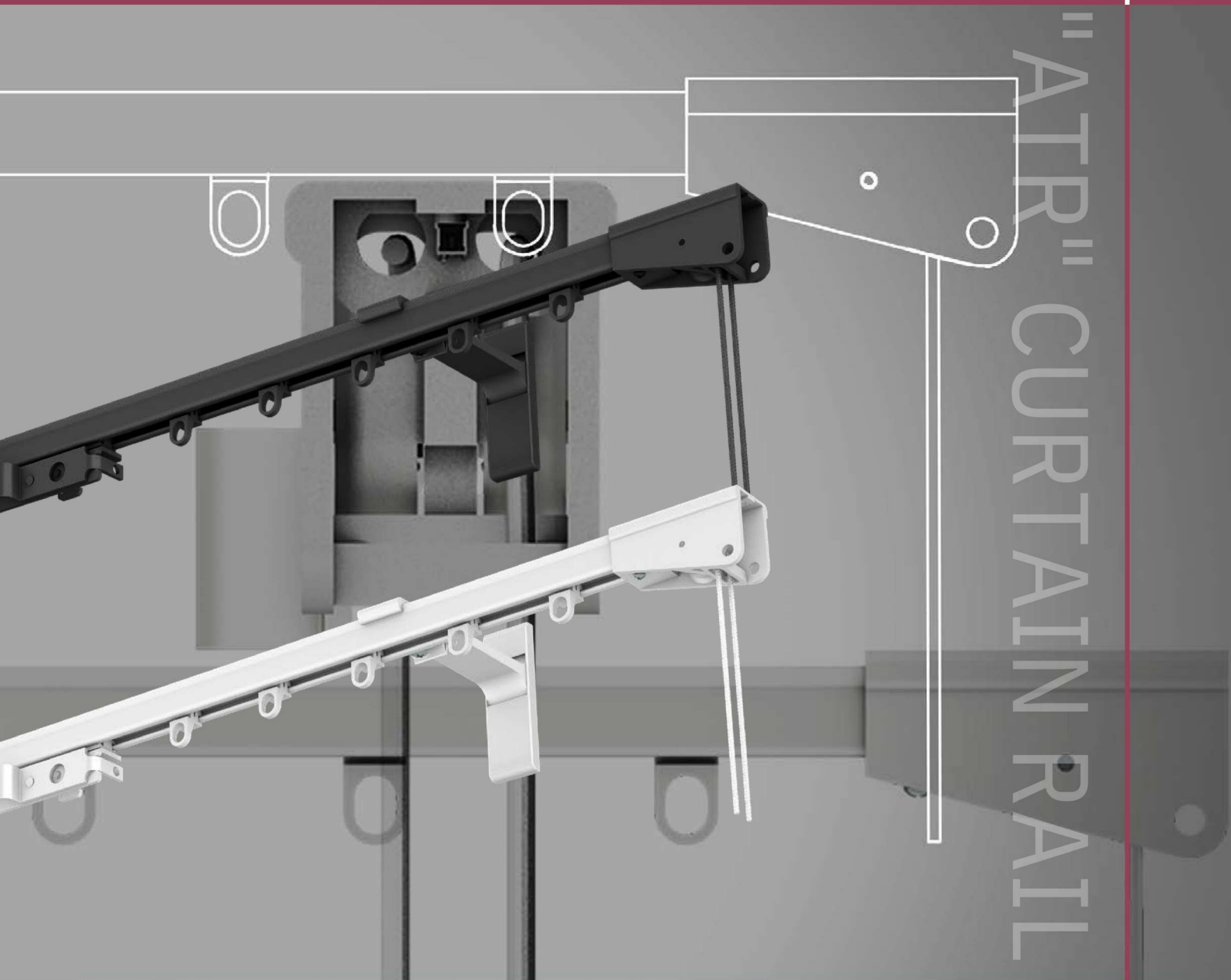
- Possibility to bend the curtain rail by 90°
- Powder-coated rails in white.
- Rollers ensure smooth and quiet operation.
- Possible wall mounting with new brackets.







## STANDARDS OF PERFORMANCE FOR THE "ATR" CURTAIN RAIL





# STANDARDS OF PERFORMANCE FOR THE "ATR" CURTAIN RAIL

## ✓ 1. GENERAL INFORMATION AND STANDARDS OF PERFORMANCE

ATR is a reinforced system for sliding curtains and drapes using a cord drive. Although it may seem that there is nothing particularly innovative in window arrangements on the market, the industry regularly surprises its customers with interesting and convenient proposals equipped with intriguing technological solutions. Aluminum ATR rail systems definitely belong to such modern options and are a great alternative to traditional curtain rails. However, compared to their predecessors, they are characterized by better adaptation to contemporary functional needs. Of course, the aesthetics of their design is also essential, and the non-trivial design makes customers appreciate the ATR aluminum rail system for its aesthetic values. Fabric sliding options: one-sided or two-sided with the possibility of Durable sliders – resistant to UV radiation – allowing hanging fabrics with pleated tape or on Microflex-type hooks. Simple and fast installation on walls and ceilings thanks to Smart Klick brackets.

### RAIL/ROD ATR



ASYMMETRICAL SLIDERS

- Possibility to use all brackets from the KAES curtain rail.
- Rails painted with powder coating in white and black.
- Smooth and silent operation with asymmetrical sliders AS.
- Colors: white and black

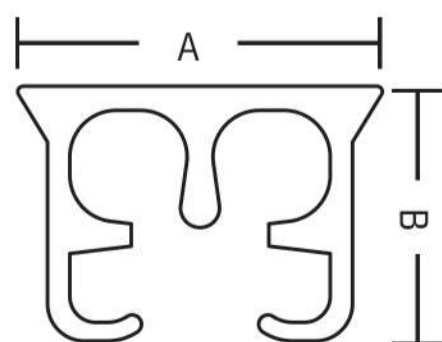
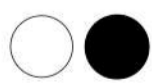
### EASY INSTALLATION OF THE CORD SLIDING SYSTEM

**Dimension A / Dimension B / Length / Weight per meter (pm).**

20 mm / 14 mm / 5800 mm / 0,17 Kg

**Material: Aluminum**

**Color: White**



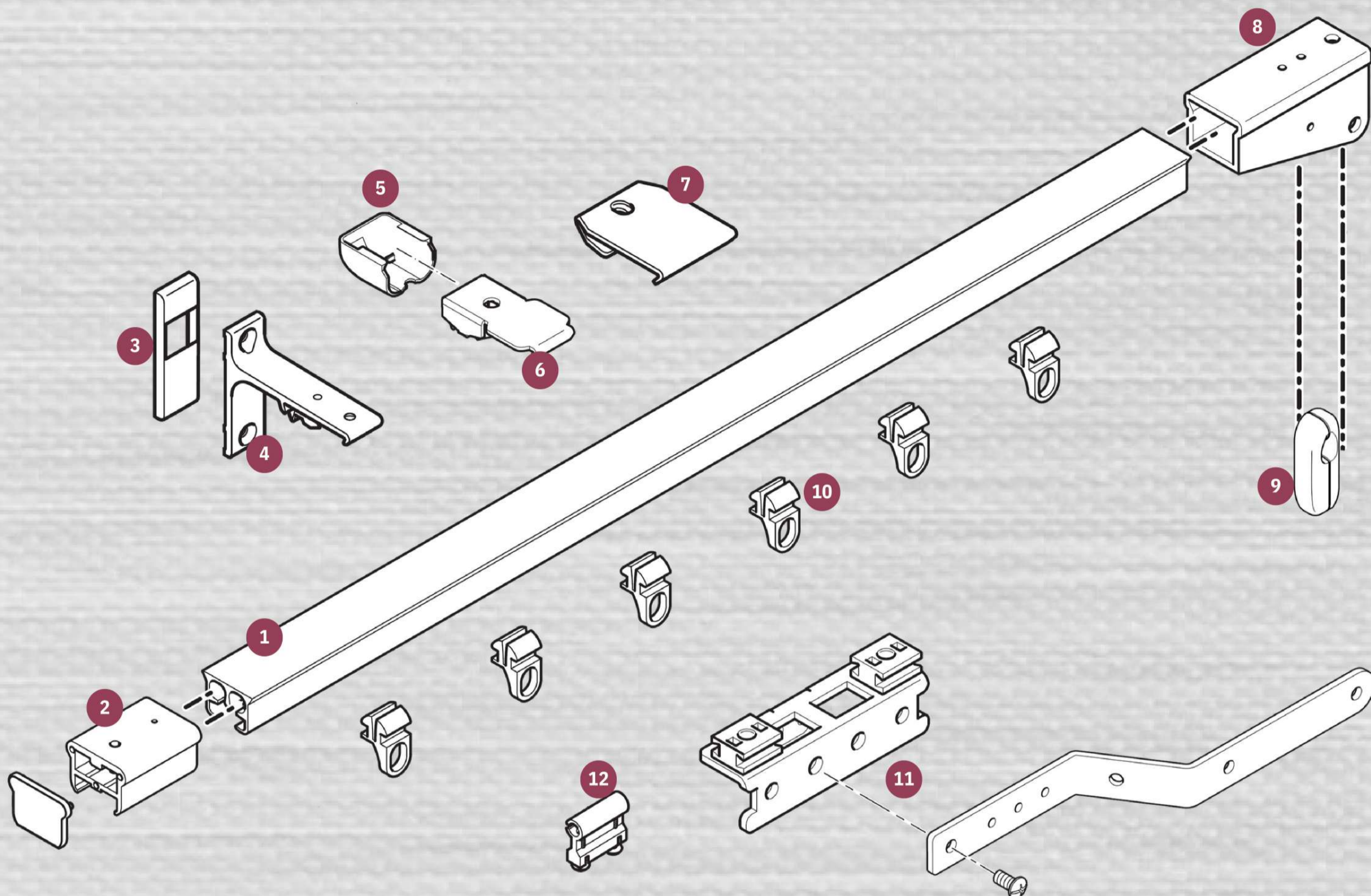
**POWDER-COATED WHITE  
COLOR**

**POWDER-COATED BLACK  
COLOR**



# STANDARDS OF PERFORMANCE FOR THE "ATR" CURTAIN RAIL

## ✓ 2. DIAGRAM CURTAIN RAIL ATR



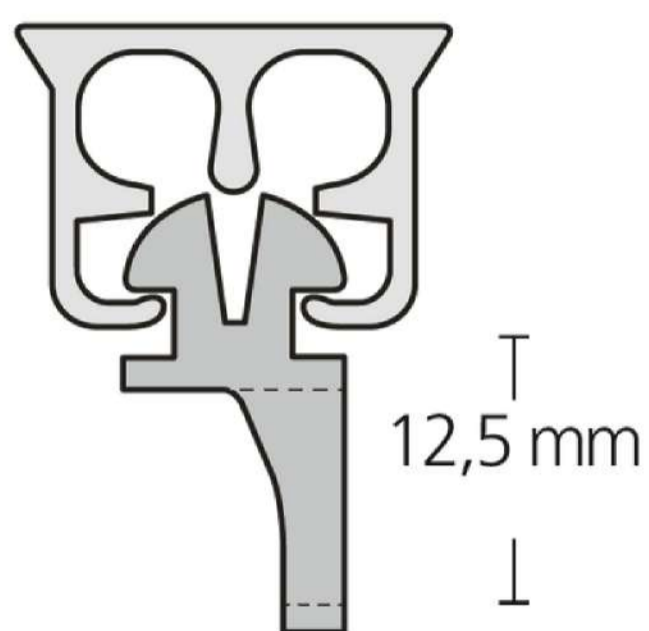
- 1 CURTAIN RAIL ATR
- 2 TURNING PULLEY RAILS ATR
- 3 BLANK WALL MOUNT
- 4 WALL MOUNT 1 TRACK
- 5 BLANK SMART-CLICK HANDLE
- 6 SMART-CLICK CEILING MOUNT
- 7 WIDE CLIP HANDLE
- 8 PULLEY WITH CONTROL CORD
- 9 CORD WEIGHT
- 10 SLIDER AS: WHITE OR BLACK
- 11 GUIDING TROLLEY + ARM
- 12 DRIVE CORD CONNECTOR

## ✓ 3. DESCRIPTION OF THE CURTAIN RAIL/SYSTEM ATR

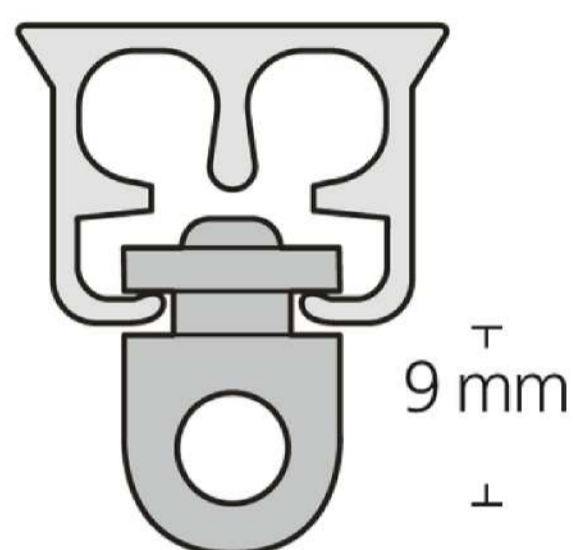
In this category, we present the ATR aluminum rail system, which also has numerous advantages contributing to its popularity in the market. Similar to KAES, users appreciate the very quiet and smooth mechanism, allowing easy movement of even heavier curtains without additional noise in the room. Additionally, the ATR system has flexible solutions that allow the curtain rail to be adapted to different windows. Not only users appreciate the advantages of the ATR aluminum rails, but also window industry professionals. This is mainly due to the ease of installation, allowing quick and easy hanging of curtains thanks to well-designed sliders. It is also worth noting that ATR is not only about functionality but also aesthetics. The ATR aluminum rail system is characterized by modern design and elegant craftsmanship, positively influencing the final look of the window arrangement.



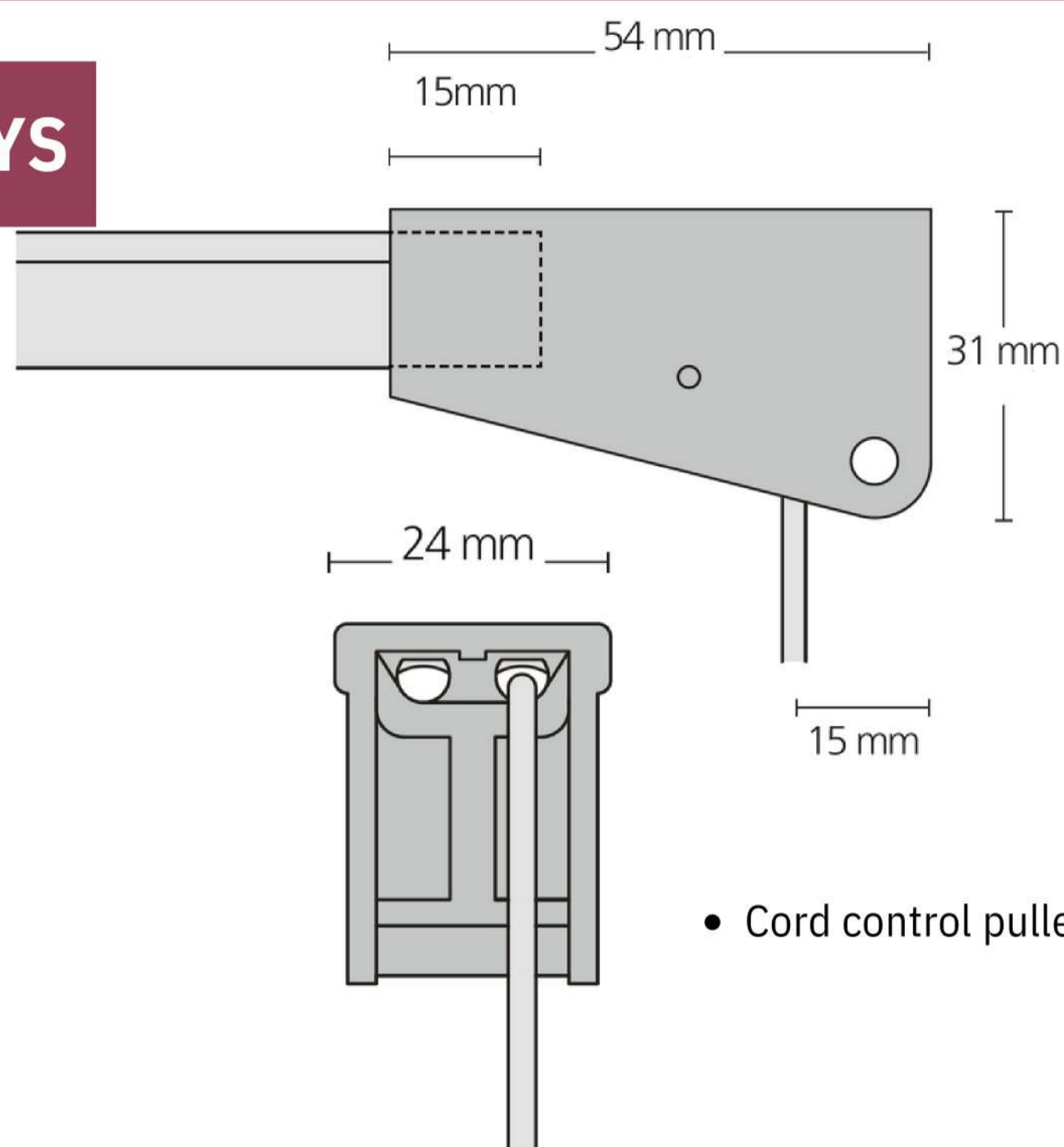
## DIMENSIONS OF SLIDERS AND PULLEYS



• Slider AS with eyelet

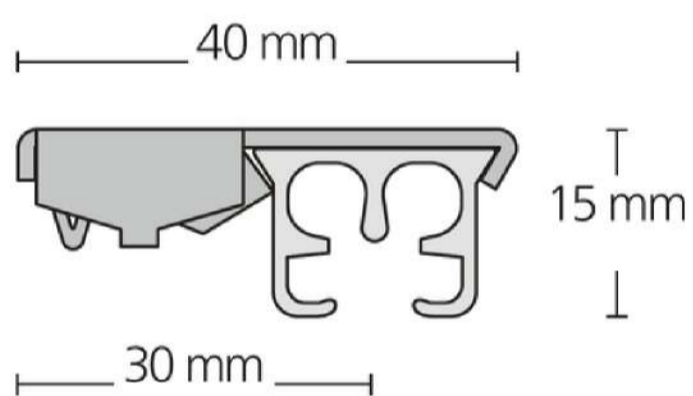


• WAVE Slider

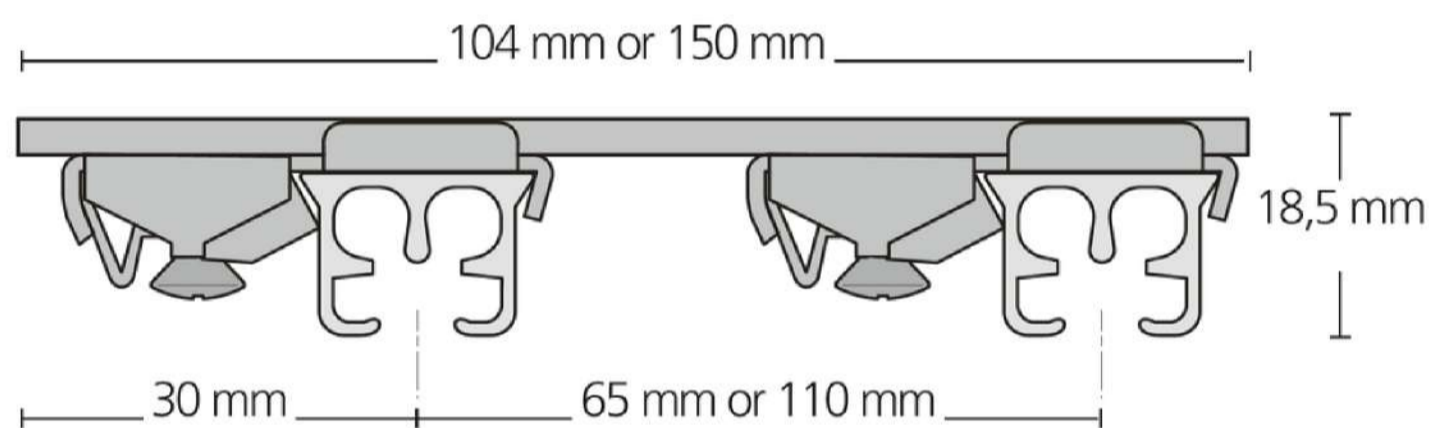


• Cord control pulley

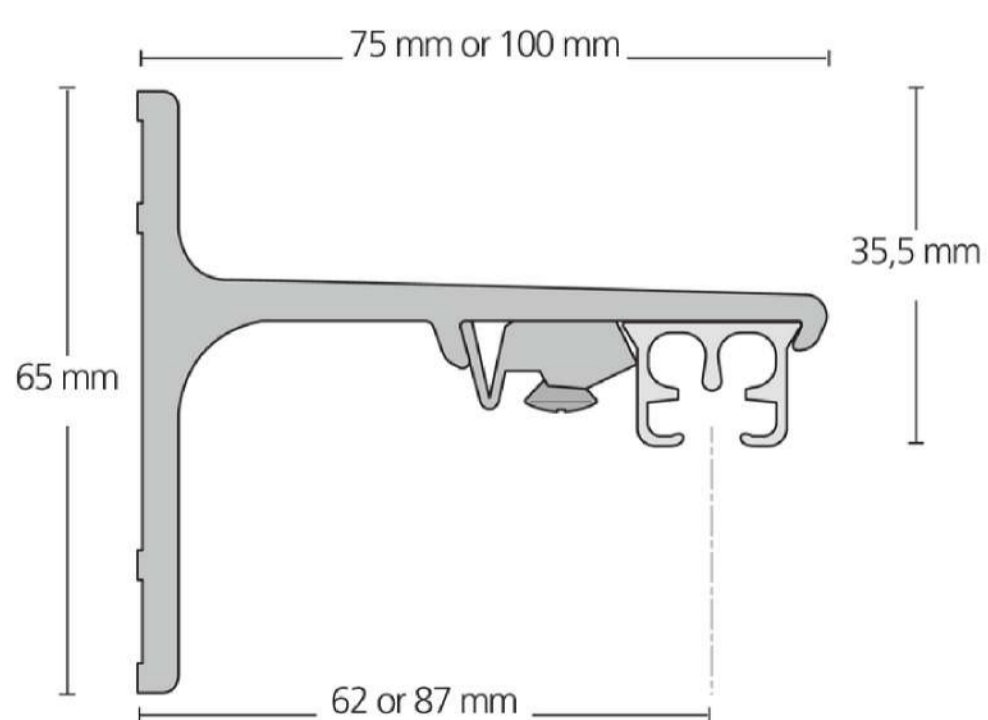
## DIMENSIONS OF HANDLES



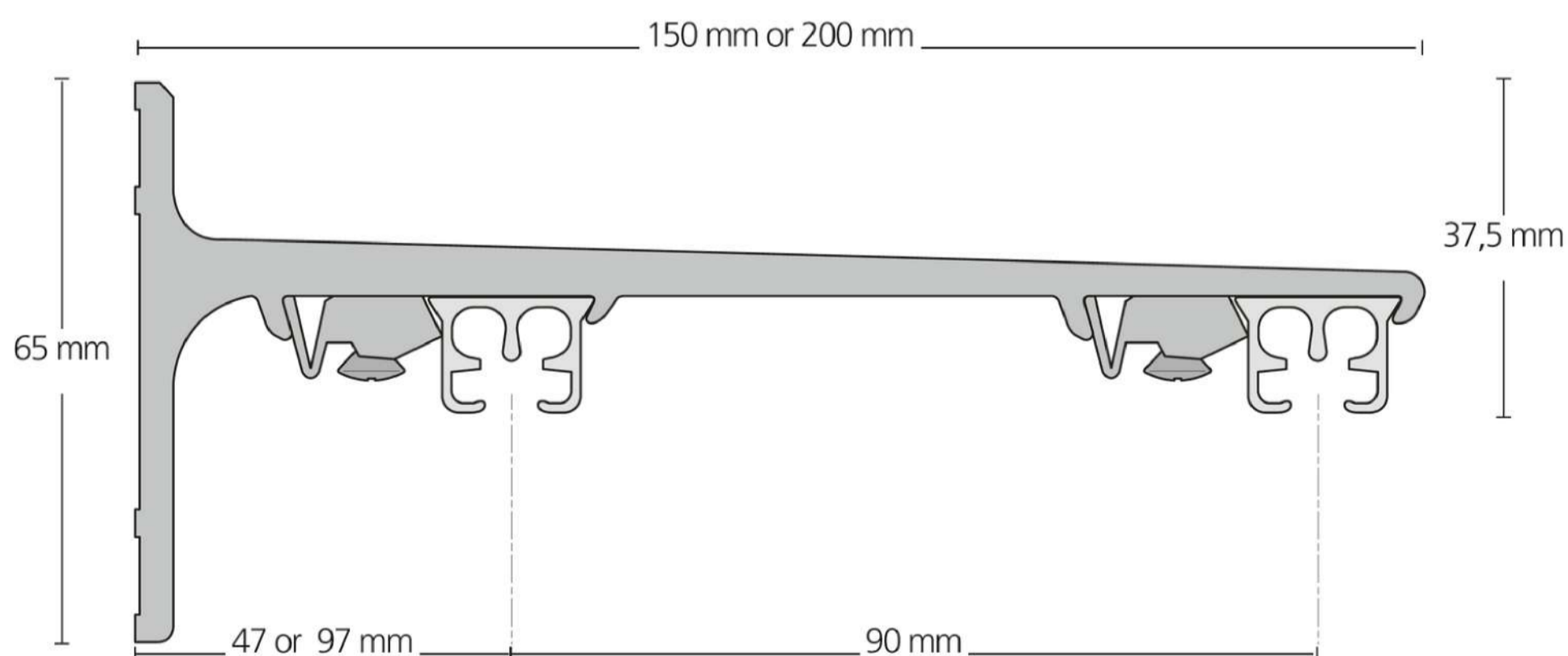
• Smart-click handle



• Double smart-click handle



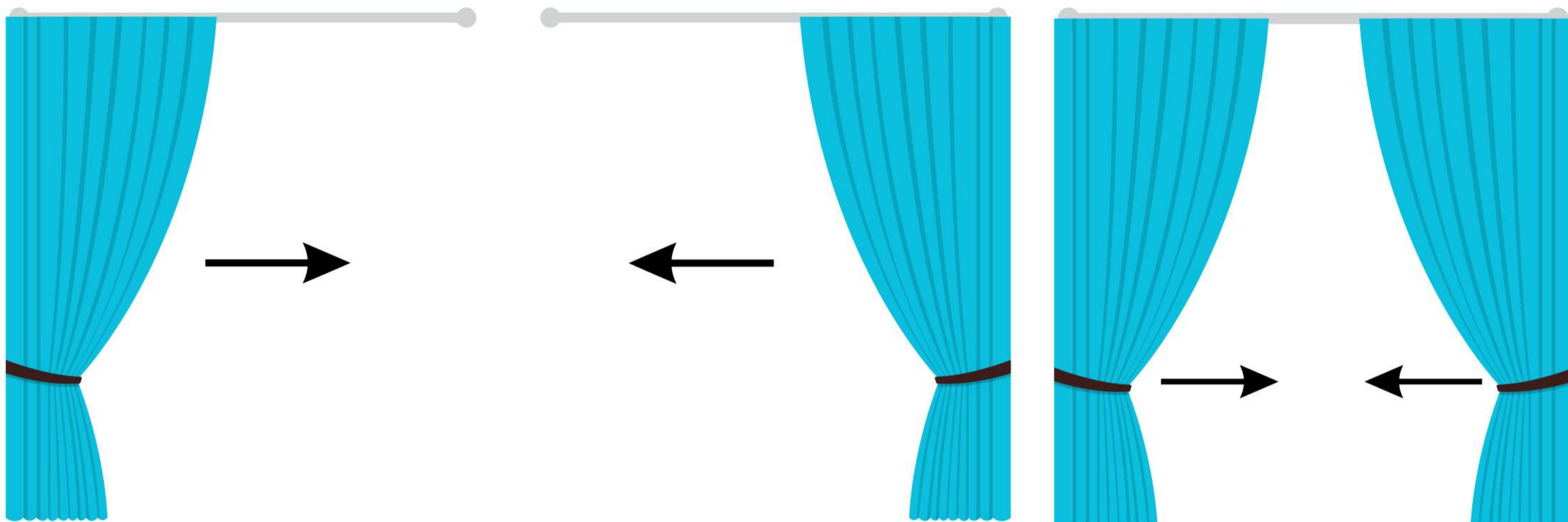
• Wall mount 1 track



• Wall mount 2 tracks



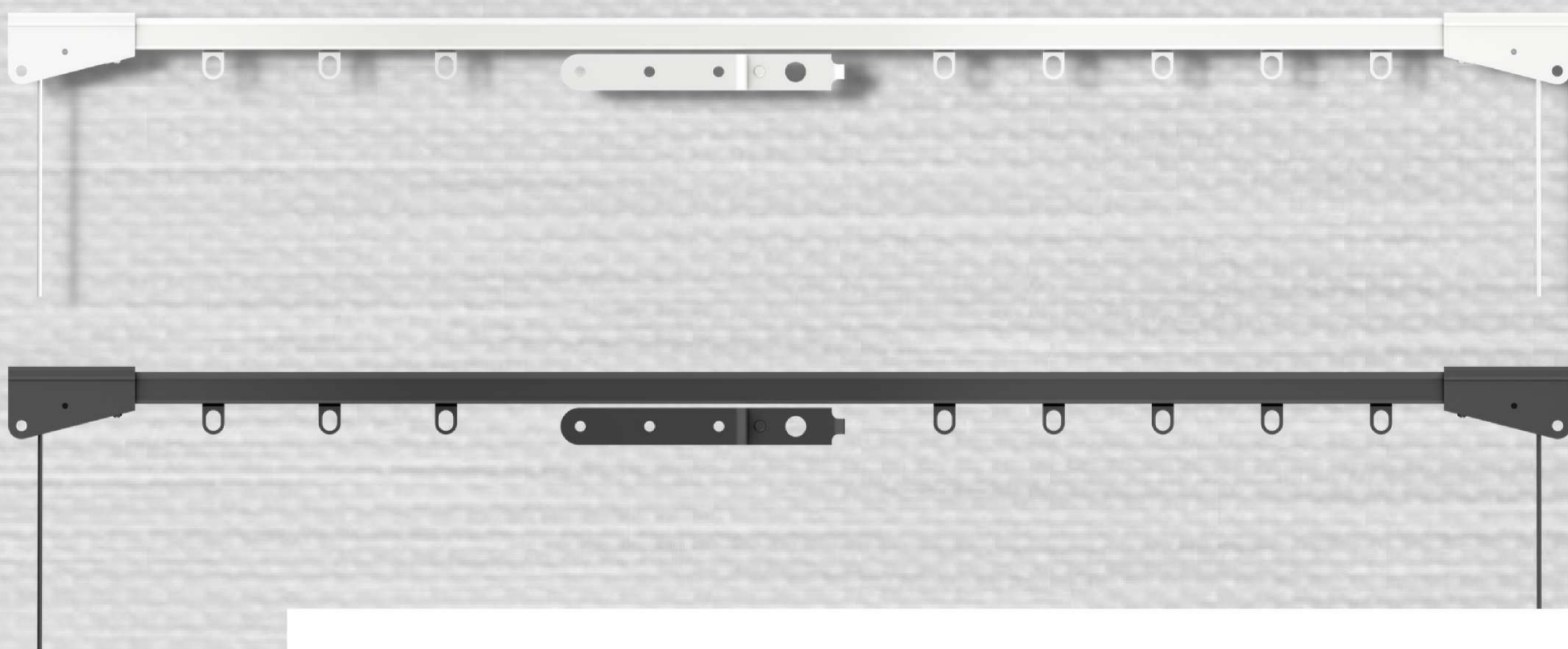
## TYPE OF SLIDING



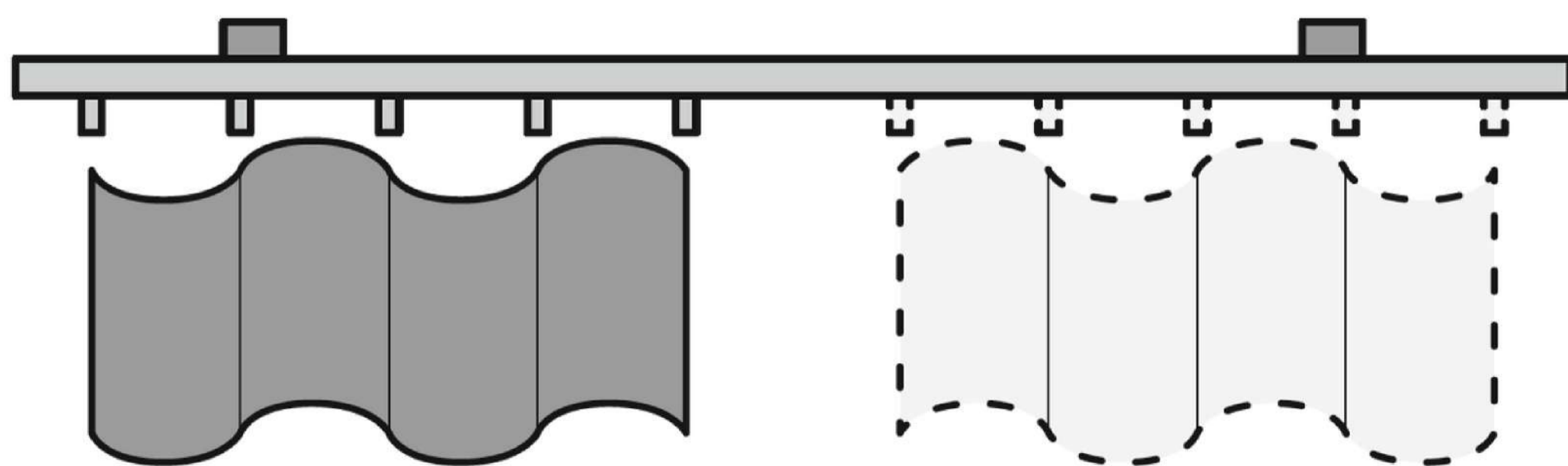
• One-sided sliding to the Right

• One-sided sliding to the Left

• Curtain sliding



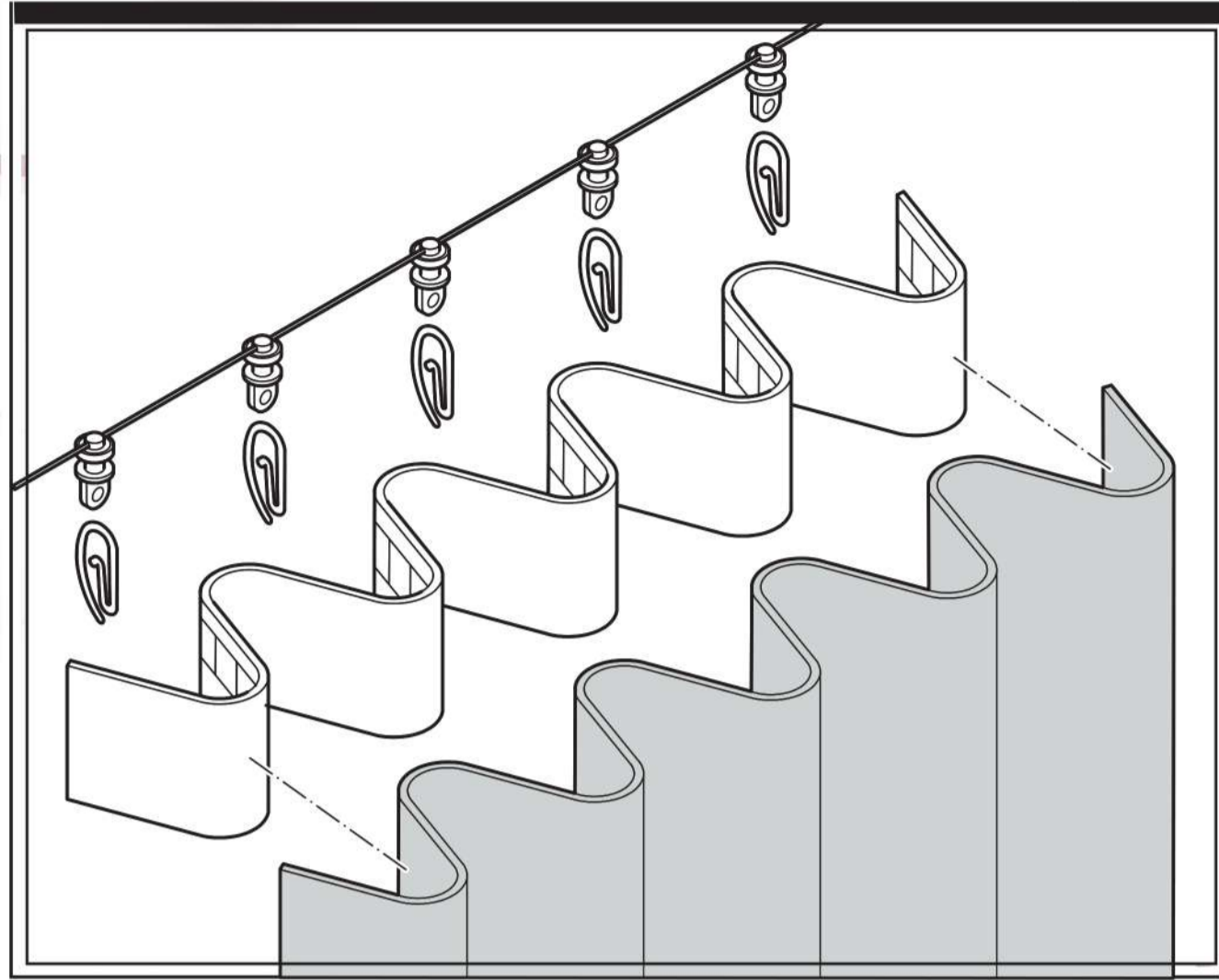
100 mm 600 mm 100 mm



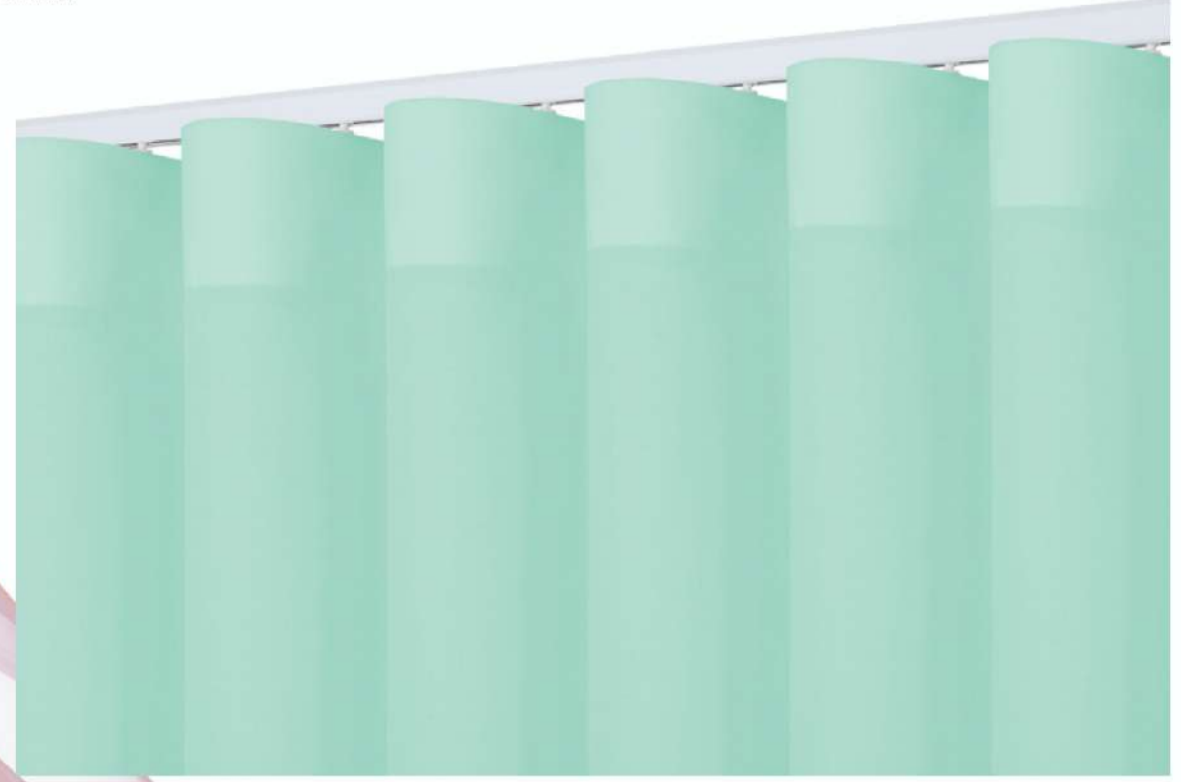


# STANDARDS OF PERFORMANCE FOR THE "ATR" CURTAIN RAIL

## ✓ 3. WAVE SYSTEM FOR CURTAIN RAIL/SYSTEM ATR



The WAVE system for the ATR curtain rail is available in white and black. The distance between sliders connected by a cord is 6 cm or 8 cm.



## WAVE SYSTEM FOR CURTAIN RAIL ATR







## STANDARDS OF EXECUTION FOR VELOLINE AND VELOLINE DUO PLEATED BLINDS



*Veloline*  
PLISA DEKRO

*Veloline* **DUO**  
PLISA DEKRO



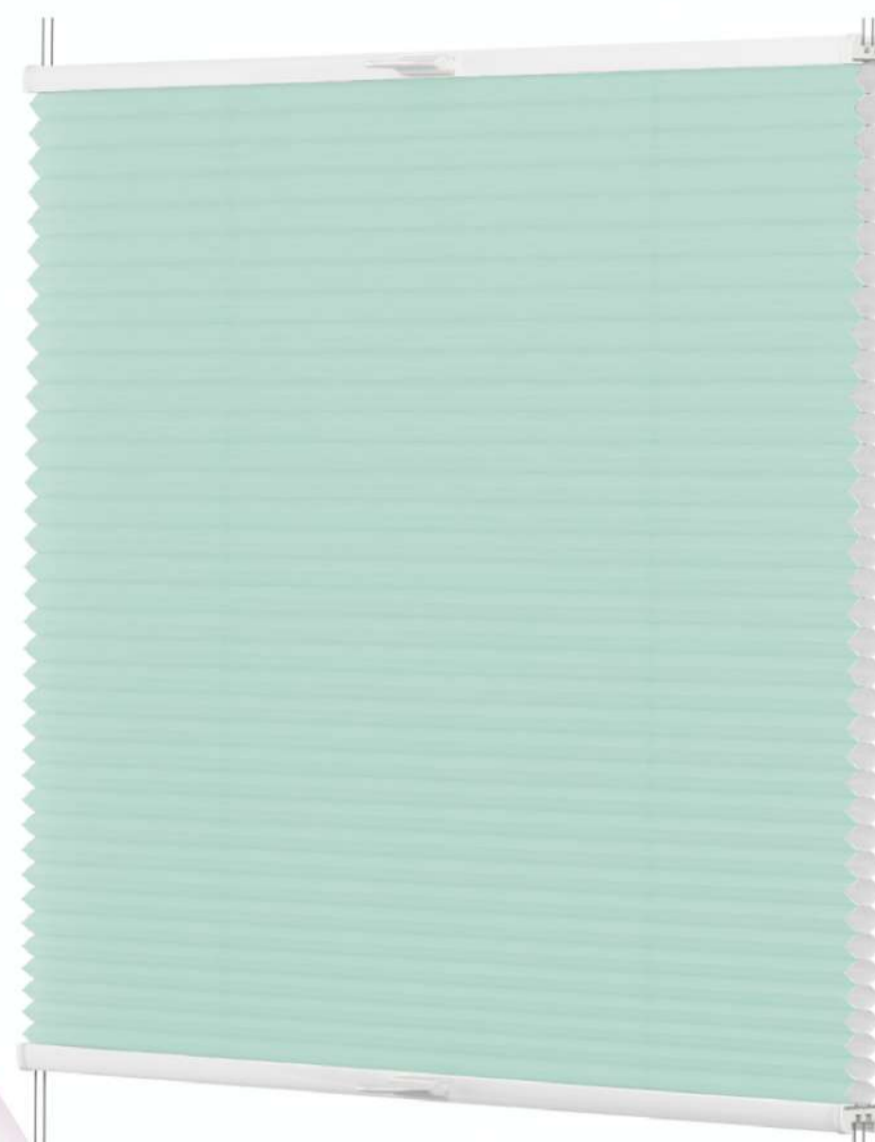


## *Veloline* PLISA DEKRO



1  
Veloline Pleated Blind made of CORAL fabric, available in 18 colors.

2  
Veloline Pleated Blind made of blackout fabric with thermal insulation coating (Honeycomb).



3  
Veloline Pleated Blind made of honeycomb fabric without thermal coating.



1  
Veloline Duo Pleated Blind made of curtain fabric and CORAL fabric, available in 18 colors.

## *Veloline* **DUO** PLISA DEKRO



2  
Veloline Duo Pleated Blind made of curtain fabric and honeycomb fabric without thermal coating.



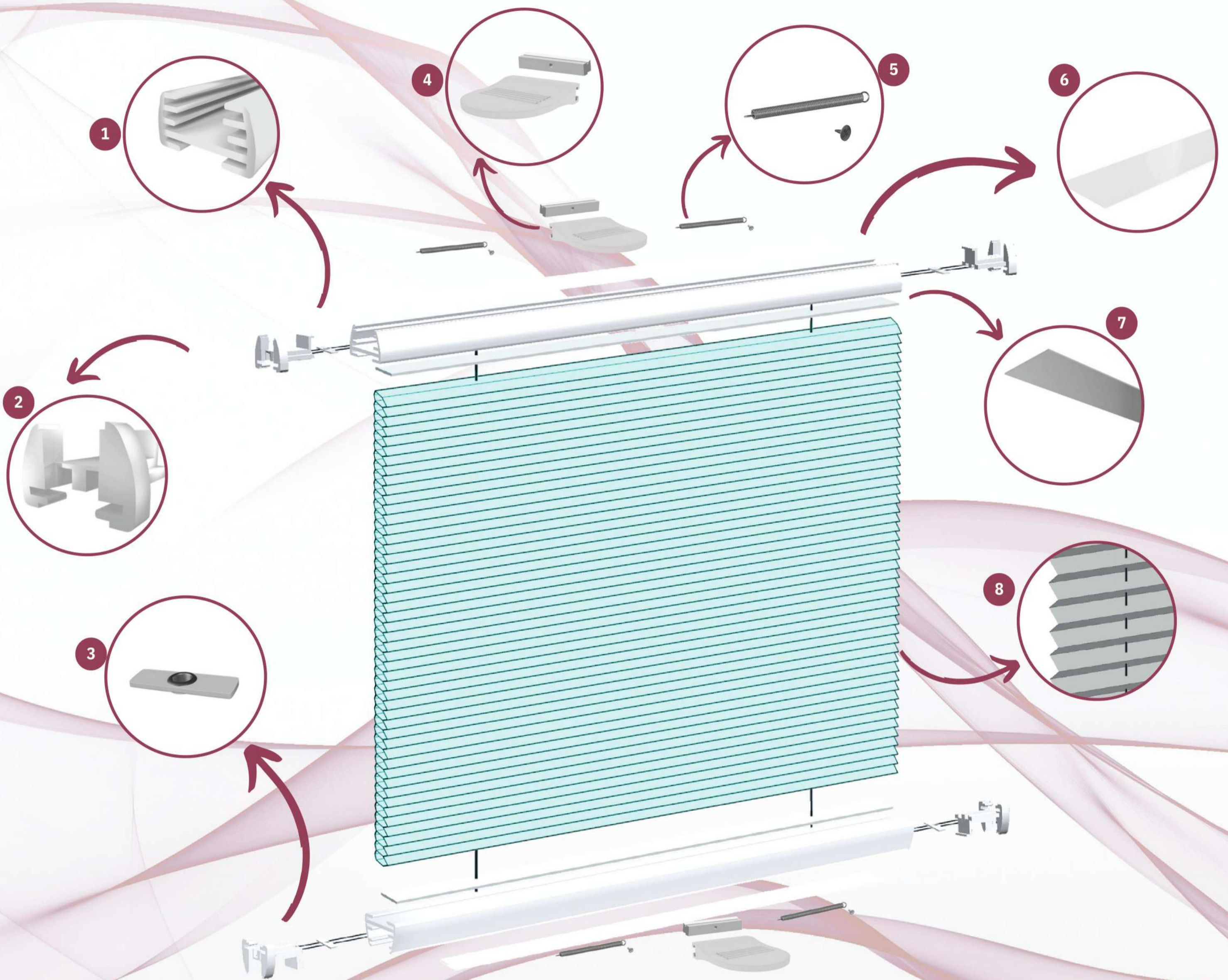
3  
Veloline Duo Pleated Blind made of curtain fabric and honeycomb fabric with thermal insulation coating.



# STANDARDS OF EXECUTION FOR VELOLINE PLEATED BLINDS

**Veloline**  
PLISA DEKRO

**Veloline DUO**  
PLISA DEKRO



- 1 ALUMINUM PROFILE VELOLINE
- 2 END CAP FOR VELOLINE PROFILE
- 3 CORD PASSAGE
- 4 SCREWED PLEAT HANDLE

- 5 CORD SPRING
- 6 PLEAT MASKING STRIP
- 7 FABRIC STIFFENING TAPE
- 8 PLEATED FABRIC\*

VARIOUS FABRIC OPTIONS AVAILABLE  
FROM THE SAMPLE BOOK.



# STANDARDS OF EXECUTION FOR VELOLINE PLEATED BLINDS

**Veloline**  
PLISA DEKRO

**VelolineDUO**  
PLISA DEKRO

## COLORS OF THE PROFILE



WHITE ALUMINUM PROFILE



BROWN ALUMINUM PROFILE



ANODIZED ALUMINUM PROFILE



ANTHRACITE ALUMINUM PROFILE

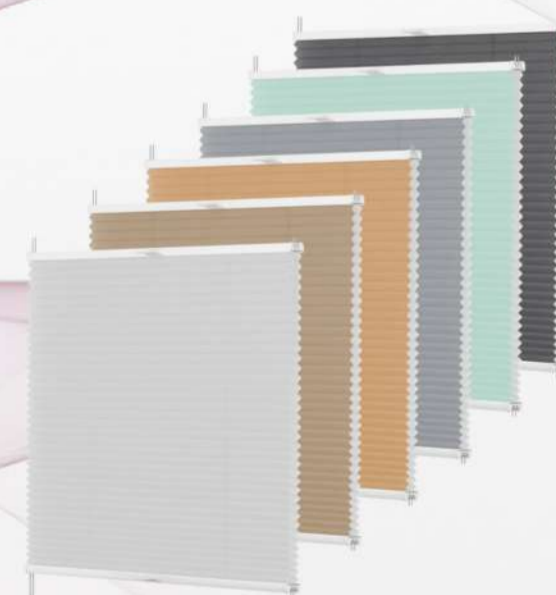
## COLORS AND TYPES OF FABRICS:



PLEATED FABRIC CORAL, SEMI-OPAQUE - AVAILABLE IN 18 COLORS



PLEATED FABRIC HONEYCOMB, BLACKOUT WITH THERMAL COATING - AVAILABLE IN 16 COLORS



PLEATED FABRIC HONEYCOMB, SEMI-OPAQUE - AVAILABLE IN 6 COLORS



## COLORS AND TYPES OF MOUNTINGS:



INVASIVE INSTALLATION AVAILABLE IN ALL COLORS



NON-INVASIVE INSTALLATION B1 WHITE



NON-INVASIVE INSTALLATION E1 ADHESIVE, WHITE ONLY



SCREWED INVASIVE INSTALLATION F1 WHITE



SCREWED INVASIVE INSTALLATION F5 BROWN



SCREWED INVASIVE INSTALLATION F14 ANTHRACITE



SCREWED INVASIVE INSTALLATION F-AN ANODIZED



NON-INVASIVE INSTALLATION H1 WHITE



NON-INVASIVE INSTALLATION H5 BROWN



NON-INVASIVE INSTALLATION H14 ANTHRACITE



NON-INVASIVE INSTALLATION H-AN ANODIZED



NON-INVASIVE INSTALLATION HR1 WHITE



NON-INVASIVE INSTALLATION HR5 BROWN



NON-INVASIVE INSTALLATION HR14 ANTHRACITE



NON-INVASIVE INSTALLATION HR-AN ANODIZED

## COLORS OF GUIDES FOR ROOF PLEATS



WHITE-COLORED ALUMINUM GUIDE



ANODIZED ALUMINUM-COLORED GUIDE





## STANDARDS OF EXECUTION FOR MAGNUS PLEAT

*Magnus*  
**PLISA DEKRO**





## The Magnus Pleat with additional magnet mountings

*Magnus*  
**PLISA DEKRO**

### ✓ 1. GENERAL INFORMATION AND EXECUTION STANDARDS

The Magnus profile is a profile with increased durability. The profile dimensions of 19 mm x 22 mm allow for pleated blinds on larger windows. A reliable self-locking mechanism enables the adjustment of the pleated blind to any height. The system allows sliding both from the bottom and from the top, allowing you to cover any part of the window.



### ✓ 3. NOTE:

Due to limitations inherent in color reproduction in print and on device screens, the colors in this overview may differ from the actual colors used in the production of systems and fabrics.

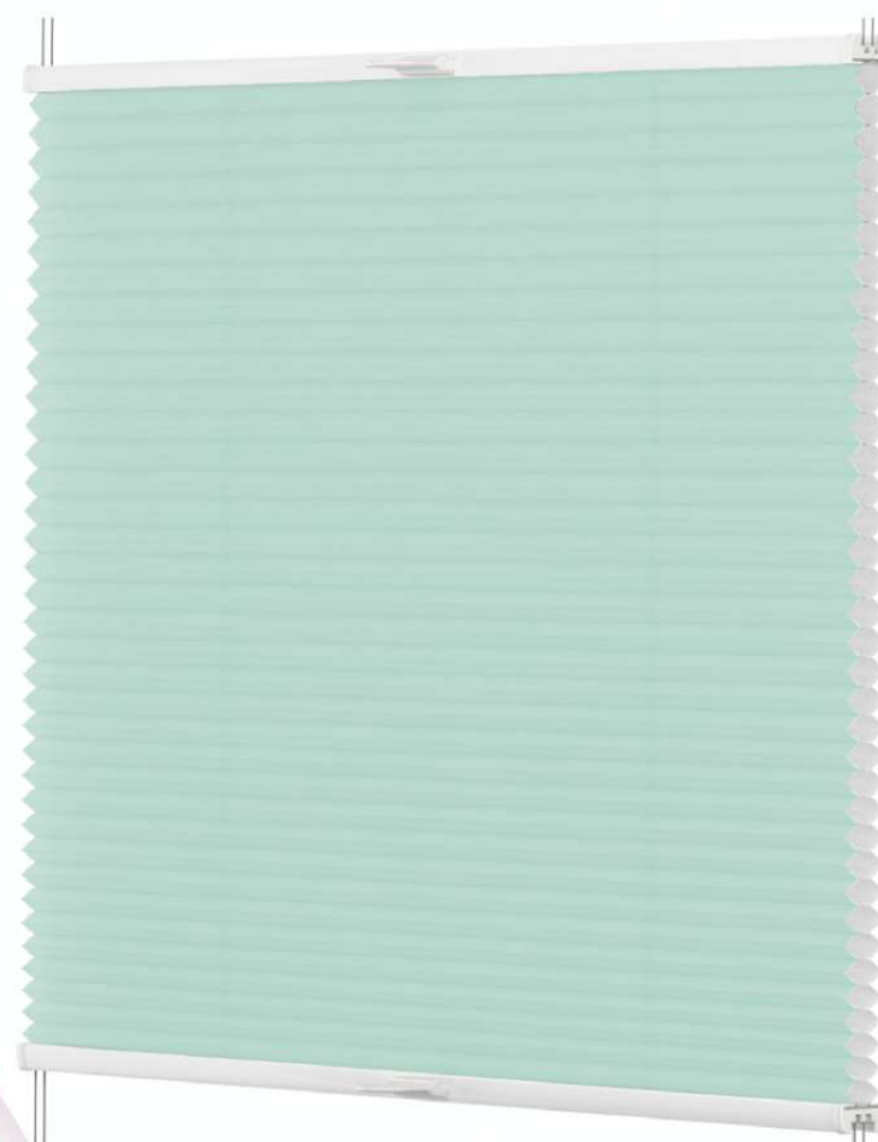


## Magnus PLISA DEKRO

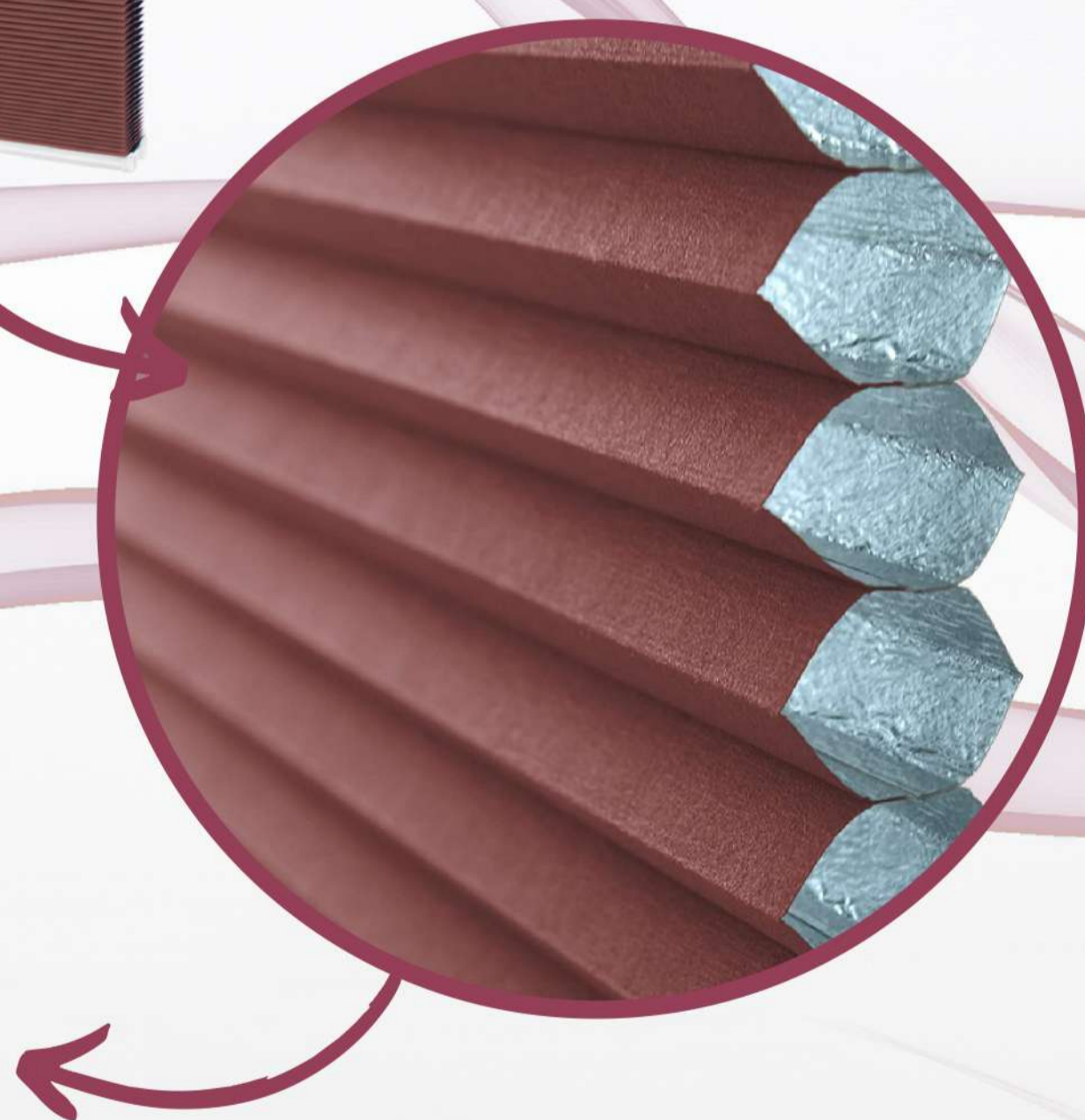
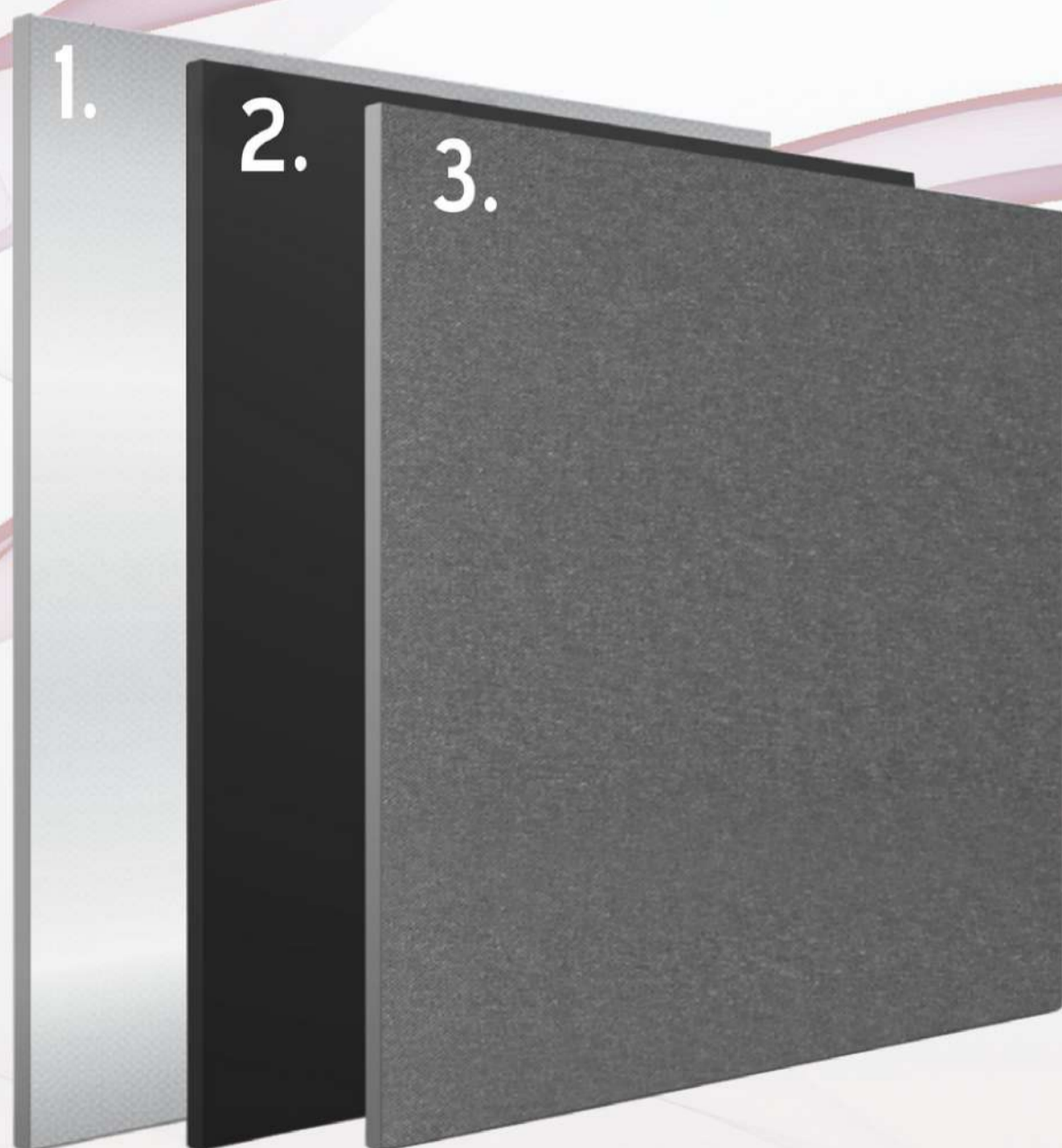


1  
MAGNUS Pleat made from  
CORAL fabric, available in 18  
colors

2  
MAGNUS Pleat made from  
blackout fabric with thermal  
insulating coating (Honeycomb)

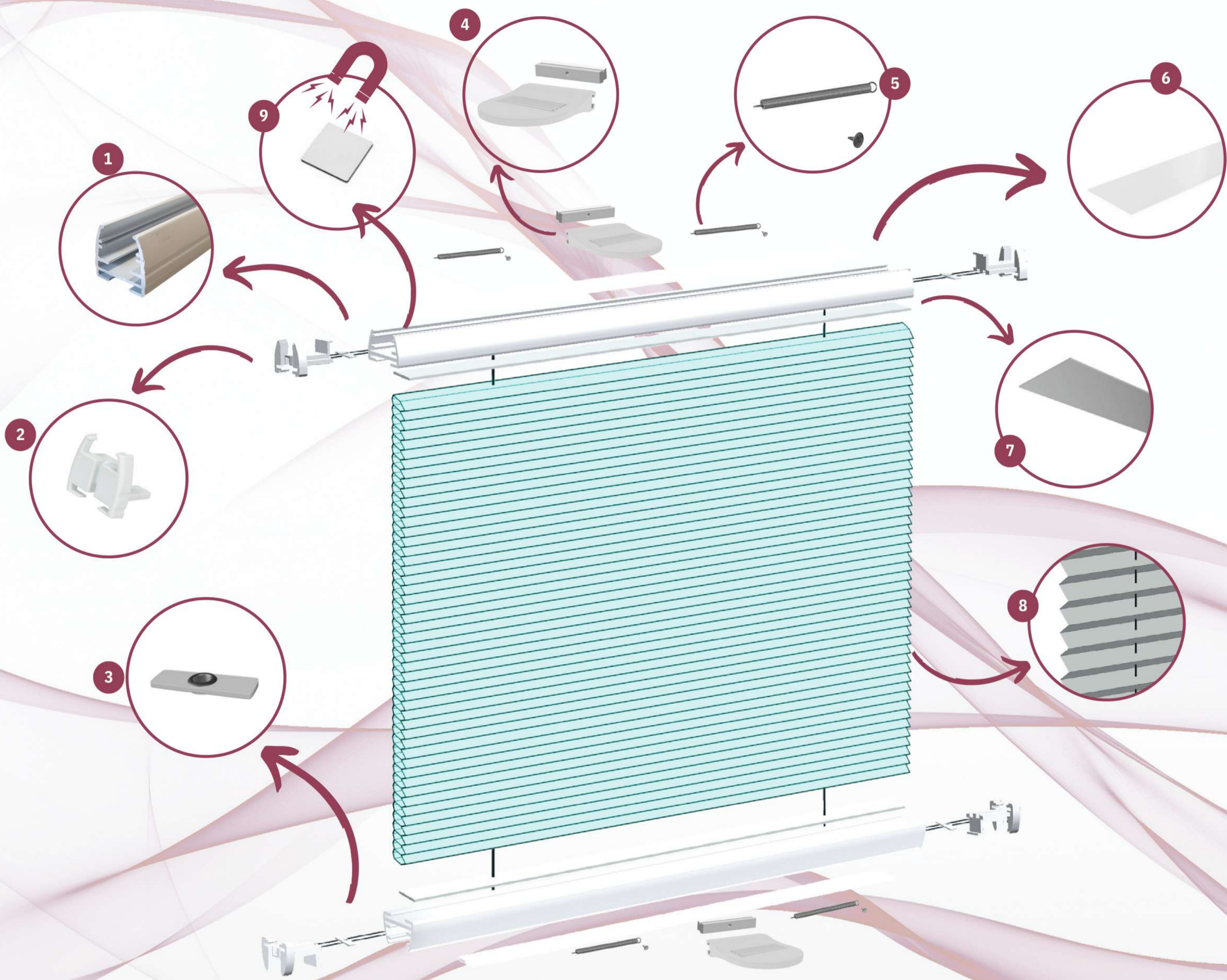


3  
MAGNUS Pleat made from  
Honeycomb fabric without  
thermal insulating coating





*Magnus*  
**PLISA DEKRO**



- 1 ALUMINUM PROFILE MAGNUS
- 2 MAGNUS PROFILE CAP
- 3 STRING PASSAGE
- 4 SCREW-ON PLEAT HOLDER

- 5 STRING SPRING
- 6 PLEAT MASKING STRIP
- 7 FABRIC STIFFENING TAPE
- 8 PLEATED FABRIC\*
- 9 METAL PLATE

\*VARIOUS FABRIC OPTIONS AVAILABLE FROM THE SAMPLE BOOK.



# STANDARDS OF EXECUTION FOR MAGNUS PLEAT

## ✓ MAGNUS PLEAT INSTALLATION

Easy installation and disassembly. Various mounting options: invasive and non-invasive, with the possibility of application to all types of windows, e.g., roof windows.

## ✓ 6. COLORS OF THE PROFILE

### COLORS AND TYPES OF MOUNTINGS:



INVASIVE INSTALLATION WITH A MAGNET  
AVAILABLE IN ALL COLORS.



NON-INVASIVE INSTALLATION B1  
WHITE



NON-INVASIVE INSTALLATION E1  
ADHESIVE, WHITE ONLY



SCREWED INVASIVE  
INSTALLATION F1 WHITE



SCREWED INVASIVE  
INSTALLATION F5 BROWN



SCREWED INVASIVE  
INSTALLATION F14 ANTHRACITE



SCREWED INVASIVE  
INSTALLATION F-AN ANODIZED



NON-INVASIVE INSTALLATION H1  
WHITE



NON-INVASIVE INSTALLATION H5  
BROWN



NON-INVASIVE INSTALLATION H14  
ANTHRACITE



NON-INVASIVE INSTALLATION H-  
AN ANODIZED



NON-INVASIVE INSTALLATION  
HR1 WHITE



NON-INVASIVE INSTALLATION  
HR5 BROWN



NON-INVASIVE INSTALLATION  
HR14 ANTHRACITE



NON-INVASIVE INSTALLATION HR-  
AN ANODIZED



*Magnus*  
**PLISA DEKRO**



# STANDARDS OF EXECUTION FOR MAGNUS PLEAT

## ✓ 7. MEASUREMENT AND INSTALLATION OF MAGNUS PLEAT BLIND

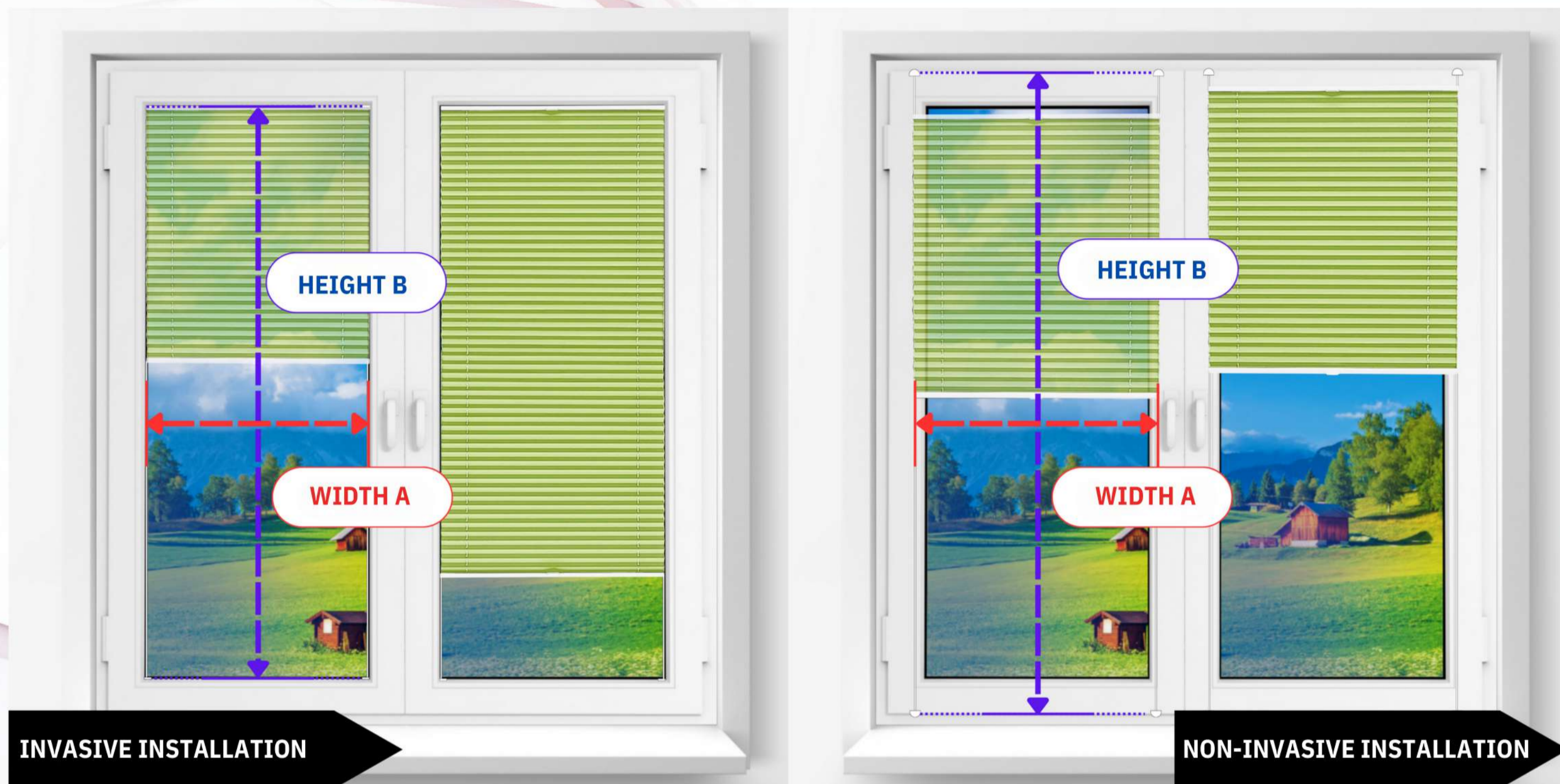
*Magnus*  
**PLISA DEKRO**

How to measure? Invasive installation:

- ▶ Measure the width of the pane - Dimension A
- ▶ Measure the height of the pane - Dimension B

Non-invasive installation:

- ▶ Measure the width of the pane with window strips - Dimension A
- ▶ Measure the height of the window sash - Dimension B



## ✓ INSTALLATION OF MAGNUS PLEAT BLINDS ON ROOFTOP WINDOWS

### COLORS OF GUIDES FOR ROOF PLEATS



WHITE-COLORED ALUMINUM GUIDE



ANODIZED ALUMINUM-COLORED GUIDE

**FAKRO®** **VELUX®**

**Roto**

**OKPOL®**  
OKNA DACHOWE





## STANDARDS OF PERFORMANCE FOR BASIC 25 ROLLER BLIND



***Basic 25***  
**ROLETA DEKRO**





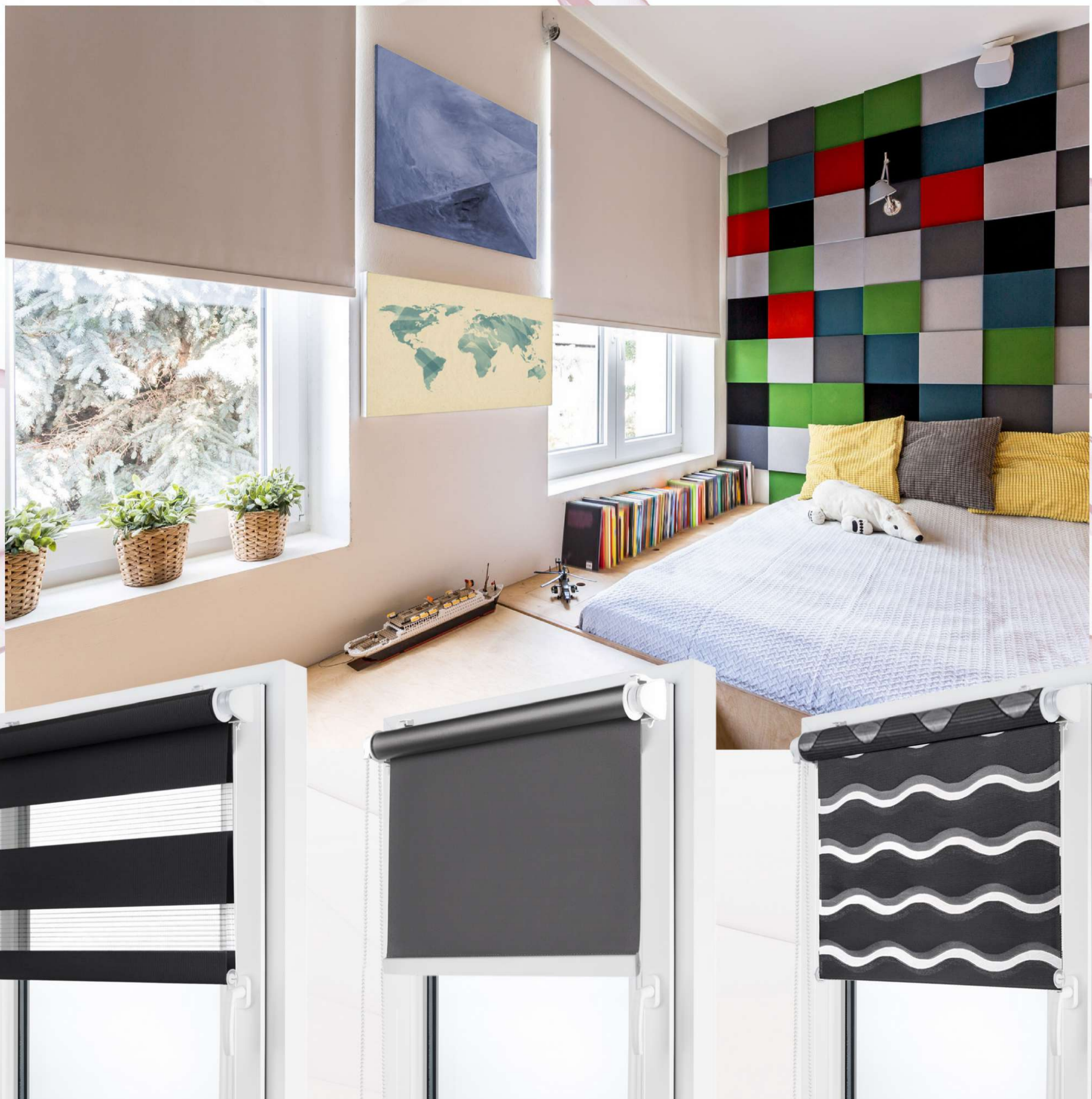
## ✓ 1. GENERAL INFORMATION AND STANDARDS OF PERFORMANCE

# Basic 25

## ROLETA DEKRO

The BASIC 25 system is a hanging roller blind designed to cover standard surfaces. It consists of material attached to a tube, and the whole assembly is held by a pair of brackets. A characteristic feature of the mechanism used in this system is its highly precise operation, ensured by an adjustable cover that allows the chain to work vertically and be controlled at any angle. This is an affordable, proven, and effective way to protect rooms from excessive sunlight.

This simple and straightforward mounting system is suitable for those who are less demanding and are looking for a reliable way to maintain privacy and protection from high temperatures. Depending on your needs, we offer traditional fabric roller blinds, and for those seeking 100% blackout, we recommend rubberized or thermal-insulating roller blinds.

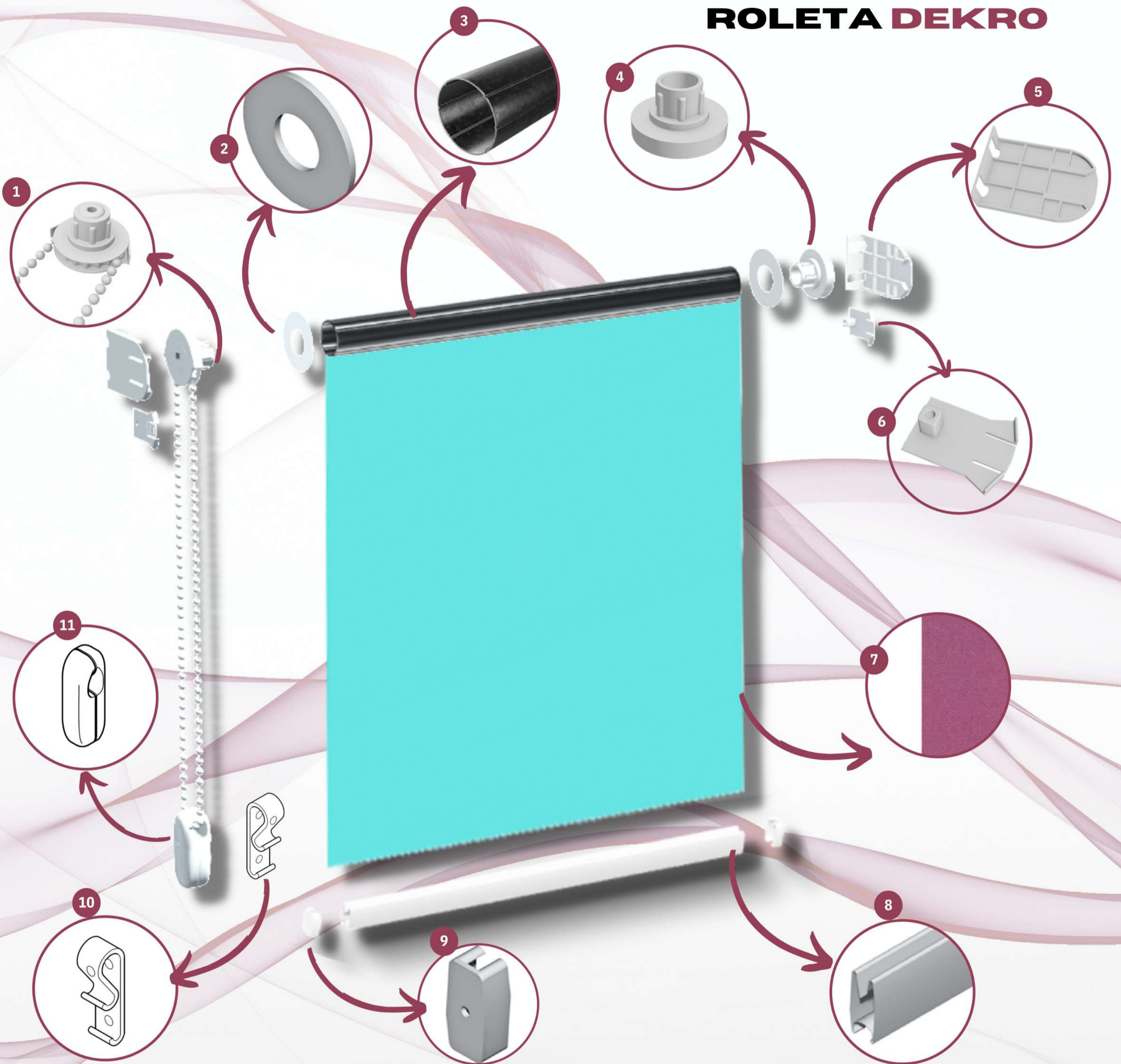




✓ 2. EXECUTION DIAGRAM

# Basic 25

ROLETA DEKRO



- 1 CHAIN MECHANISM 4.5X6.0
- 2 GUIDING RING
- 3 WINDING TUBE WITH TAPE Ø25
- 4 TUBE CORK
- 5 ROLLER BLIND PLUG 25
- 6 SIDE INSERT 25

- 7 ROLLER BLIND FABRIC\*
- 8 FABRIC WEIGHT
- 9 WEIGHT PLUG
- 10 CHAIN TENSIONER
- 11 CHAIN WEIGHT

\*FABRIC TYPES TO CHOOSE FROM THE SAMPLE BOOK

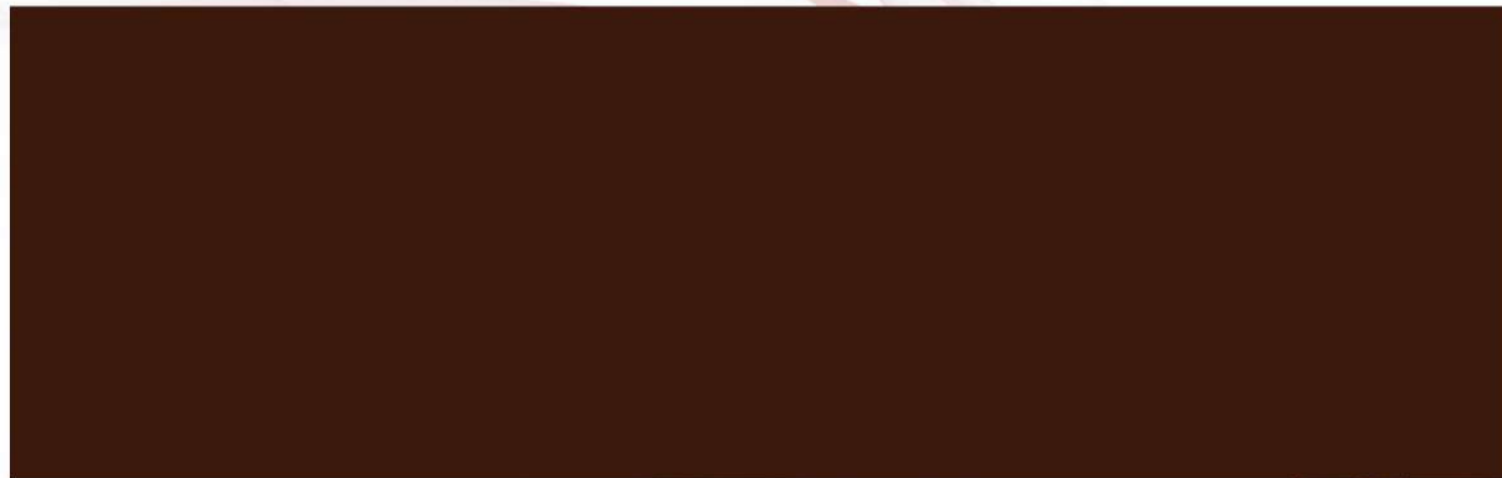


# STANDARDS OF PERFORMANCE FOR BASIC 25 ROLLER BLIND

## ✓ 3. COLORS OF MECHANISMS



WHITE COLOR



BROWN COLOR

# *Basic 25*

**ROLETA DEKRO**







## STANDARDS OF PERFORMANCE OF THE CLASSIC ROLLER BLIND



*Classic*  
ROLETA DEKRO





## Roller blind CLASSIC in a cassette with guides

### ✓ 1. GENERAL INFORMATION AND PERFORMANCE STANDARDS

Perfect for the most demanding users, the Classic roller blind fits perfectly into the window thanks to the streamlined shape of the cassette and its compact design. The roller blind is available in PVC version and is mounted to the window frame using screws. A rich selection of colors for mounting elements and fabrics, together with the "day and night" option, guarantees a perfect match for any interior.

### ✓ 2. CASSETTE AND GUIDE COLORS



**WHITE IN MASS/PAINT**



**ANTHRACITE IN MASS/PAINT**



**DARK WALNUT 2178007**



**GOLDEN OAK 2178001**

### ✓ 3. NOTE:

Due to the limitations of color reproduction in print and on device screens, the colors in this comparison may differ from the actual colors used in the production of cassette and guide systems.



# STANDARDS OF PERFORMANCE OF THE CLASSIC ROLLER BLIND

## ✓ 4. PVC GUIDES 32 mm.

Due to the limitations of color reproduction in print and on device screens, the colors in this comparison may differ from the actual colors used in the production of cassette and guide systems.



## ✓ 5. FABRICS AND DIMENSIONAL POSSIBILITIES

Due to the use of a small cassette, the Classic system has limited capacity to accommodate certain fabrics, resulting in restrictions on the use of the cassette for heights, such as balcony windows or windows with increased heights.

**\*All mentioned and current limitations are included in the price list.**



# STANDARDS OF PERFORMANCE OF THE CLASSIC ROLLER BLIND

## ✓ 6. MEASUREMENT AND INSTALLATION OF A ROLLER BLIND WITH GUIDES



### NOTE!

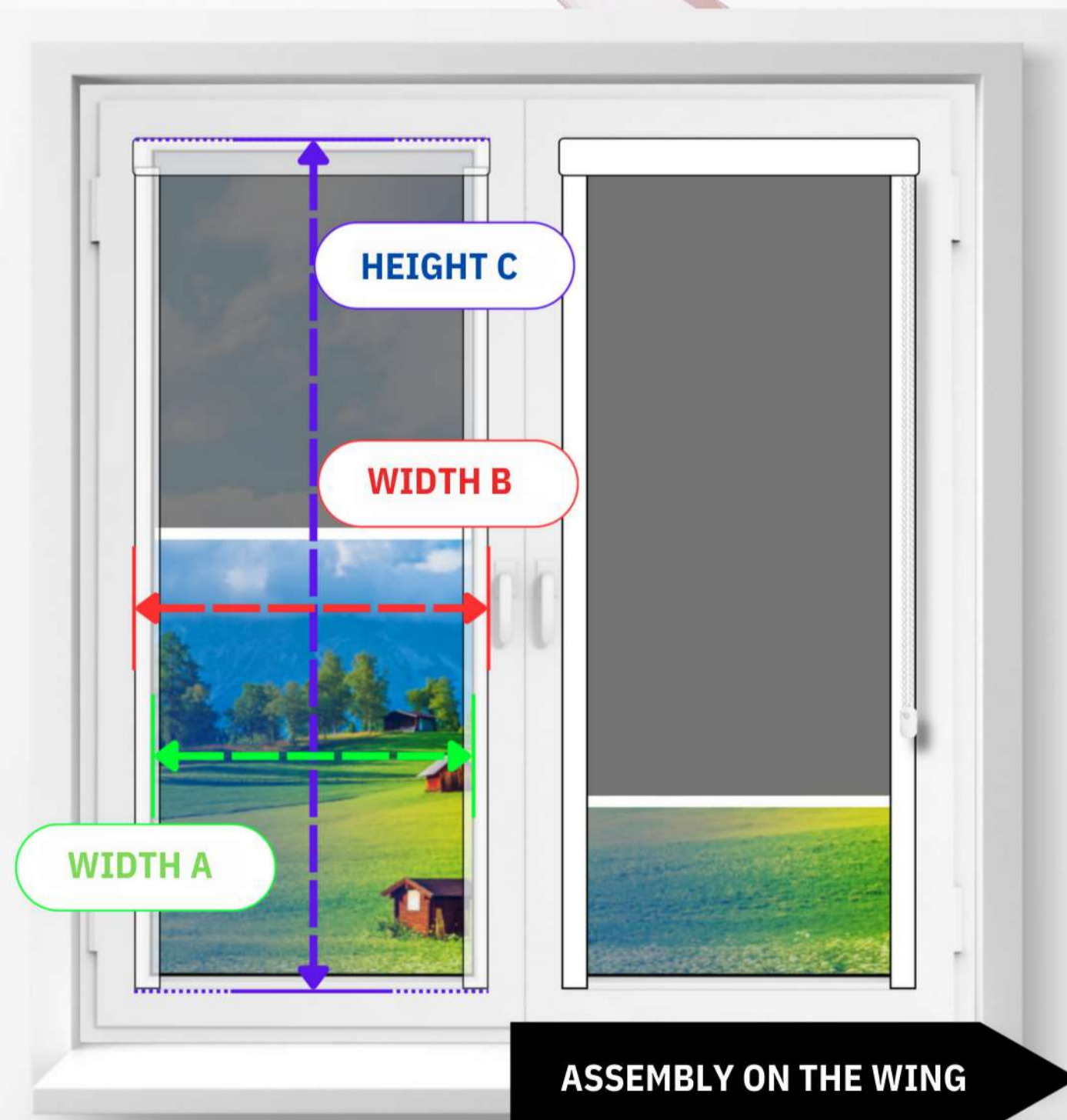
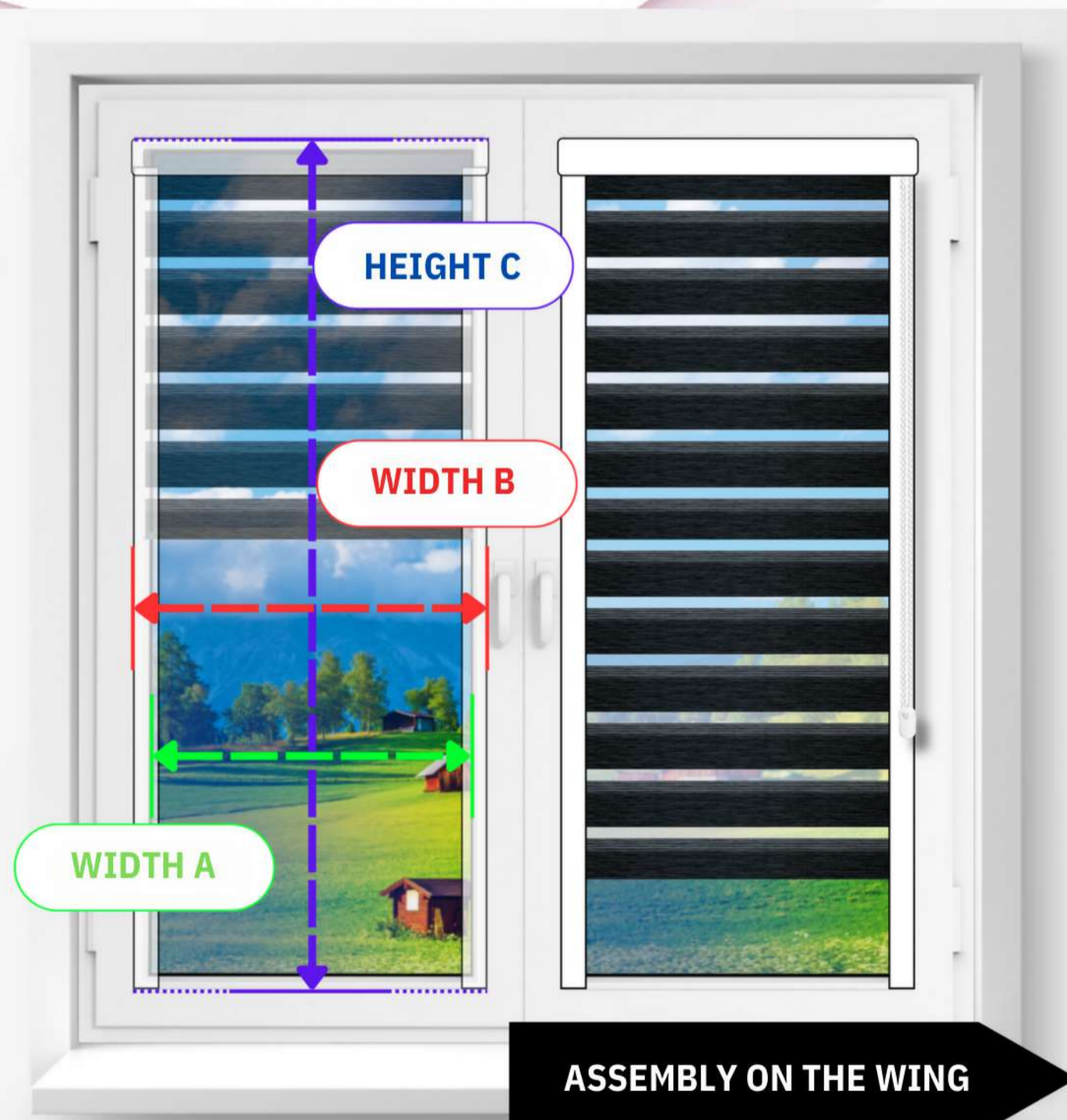
The Cassette Roller Blind is installed invasively, i.e., "screwed" with screws to the window frame. The side guide has a width of 3.7 cm and is adhesive. Therefore, one window frame cannot be narrower than 0.5 cm or wider than 2.4 cm.



## ✓ 7. MEASUREMENT AND INSTALLATION OF A ROLLER BLIND WITH GUIDES

How to measure?

- ▶ Measure the width of the window with the seal - Dimension **A**
- ▶ Measure the window along with the window frame - Dimension **B**
- ▶ Measure the height of the window along with the window frame - Dimension **C**







## STANDARDS OF PERFORMANCE LORD BLIND



**Lord**  
**ROLETA DEKRO**





## The LORD blind in a cassette with spatial guides.

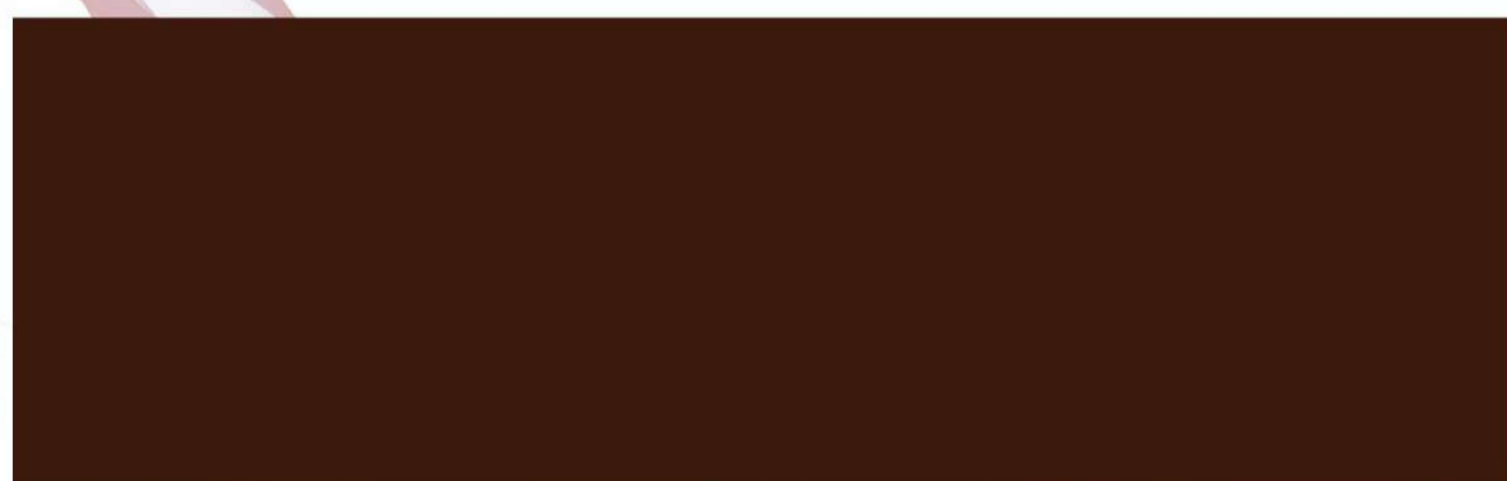
### ✓ 1. GENERAL INFORMATION AND PERFORMANCE STANDARDS

The Lord blind is a blind system with a classic cassette design with increased capacity and a depth of 4.8 cm. Spatial guides with a width of 2.2 cm are mounted outside the window frame, on the window frames.

### ✓ 2. CASSETTE AND GUIDE COLORS



WHITE IN MASS/PAINT



BROWN IN MASS/PAINT



ANTHRACITE IN MASS/PAINT



DARK WALNUT 2178007



GOLDEN OAK 2178001

### ✓ 3. NOTE:

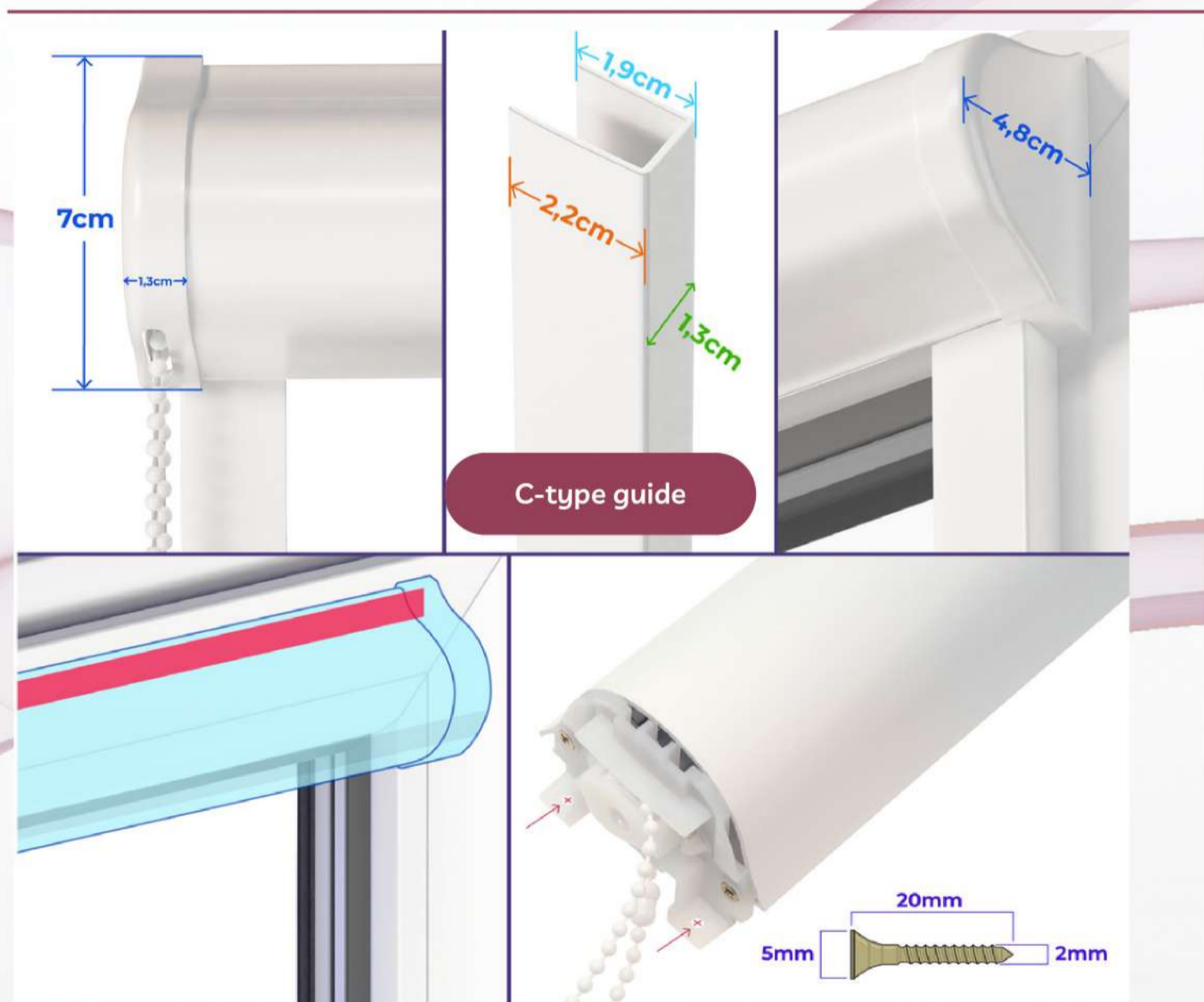
Due to the limitations of color reproduction in print and on device screens, the colors in this comparison may differ from the actual colors used in the production of cassette and guide systems.



# STANDARDS OF PERFORMANCE LORD BLIND

## ✓ 4. PVC 22 mm GUIDES

The LORD blind resembles the Classic blind in its design. It is characterized by an increased cassette capacity. Equipped with spatial guides that do not obstruct the light of the window. The advantage of the Profile blind is its exceptionally easy installation, either by gluing with an adapter or by screwing it to the window frame. The blind can also be wall-mounted.



## ✓ 5. FABRICS AND DIMENSIONAL POSSIBILITIES

Due to the use of a larger-capacity cassette, the Lord system has the ability to accommodate certain fabrics, making it suitable for windows with increased heights, such as balcony or terrace windows.

**\*all mentioned and current limitations are included in the price list.**



# STANDARDS OF PERFORMANCE LORD BLIND

## ✓ 5. MEASUREMENT AND INSTALLATION OF A BLIND WITH GUIDES

### WALL MOUNTING:

How to measure?

Dimension (A) ▶ Measure the width of the recess and add 4 cm to it.

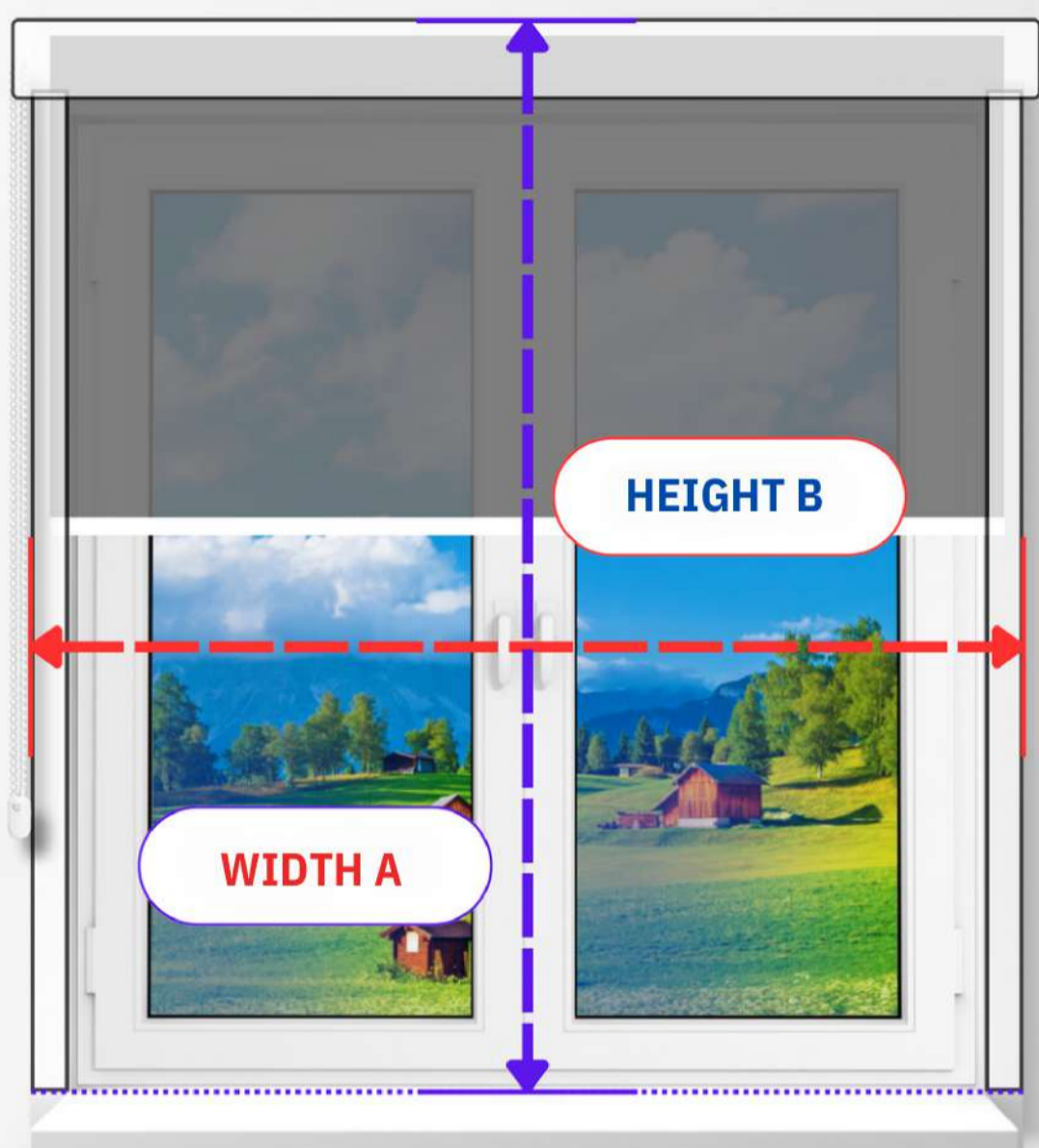
Dimension (B) ▶ Measure the height of the recess and add 7 cm.

### MOUNTING ON THE FRAME:

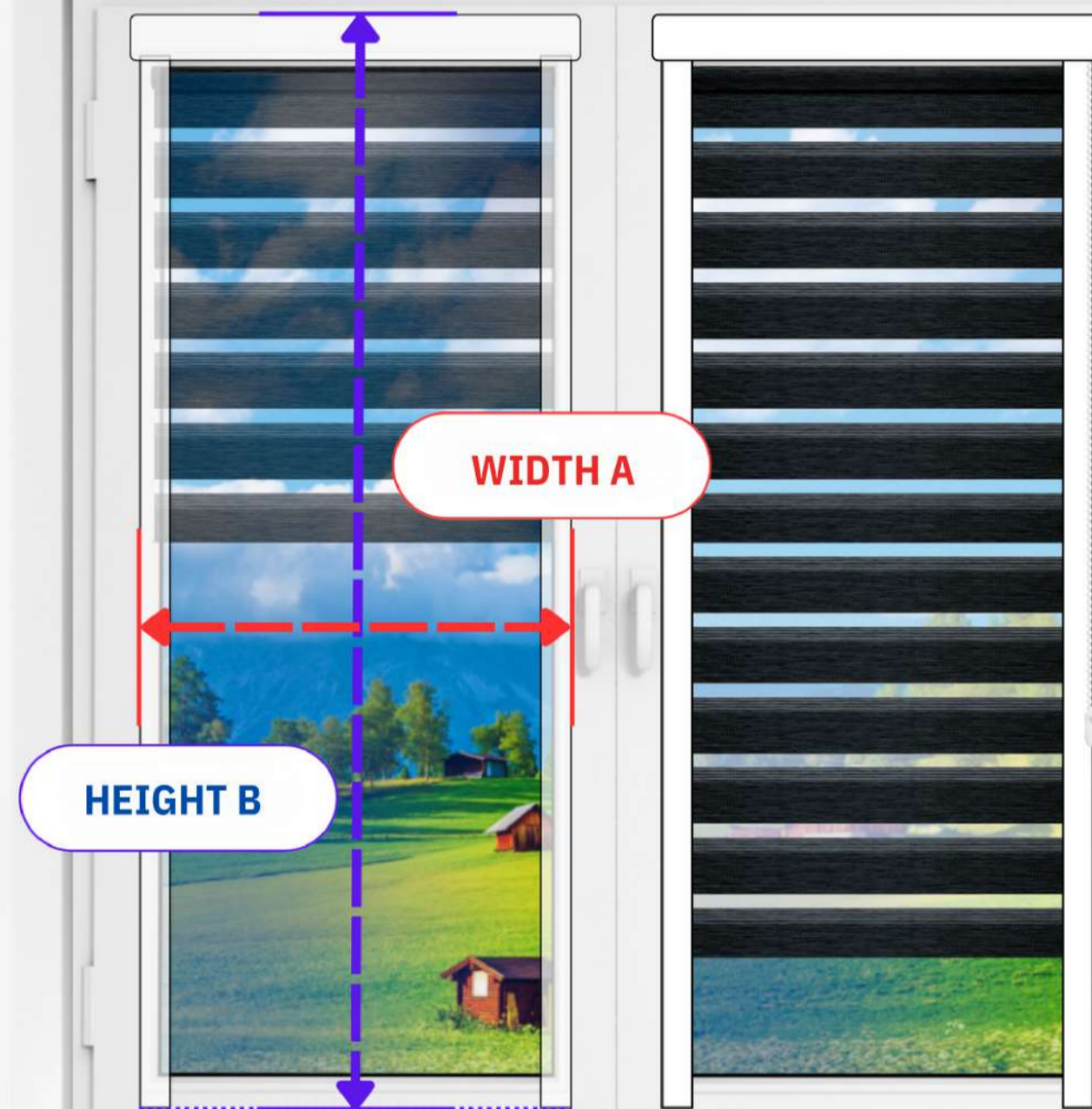
How to measure?

Dimension (A) ▶ Measure the width of the glass along with the window frame

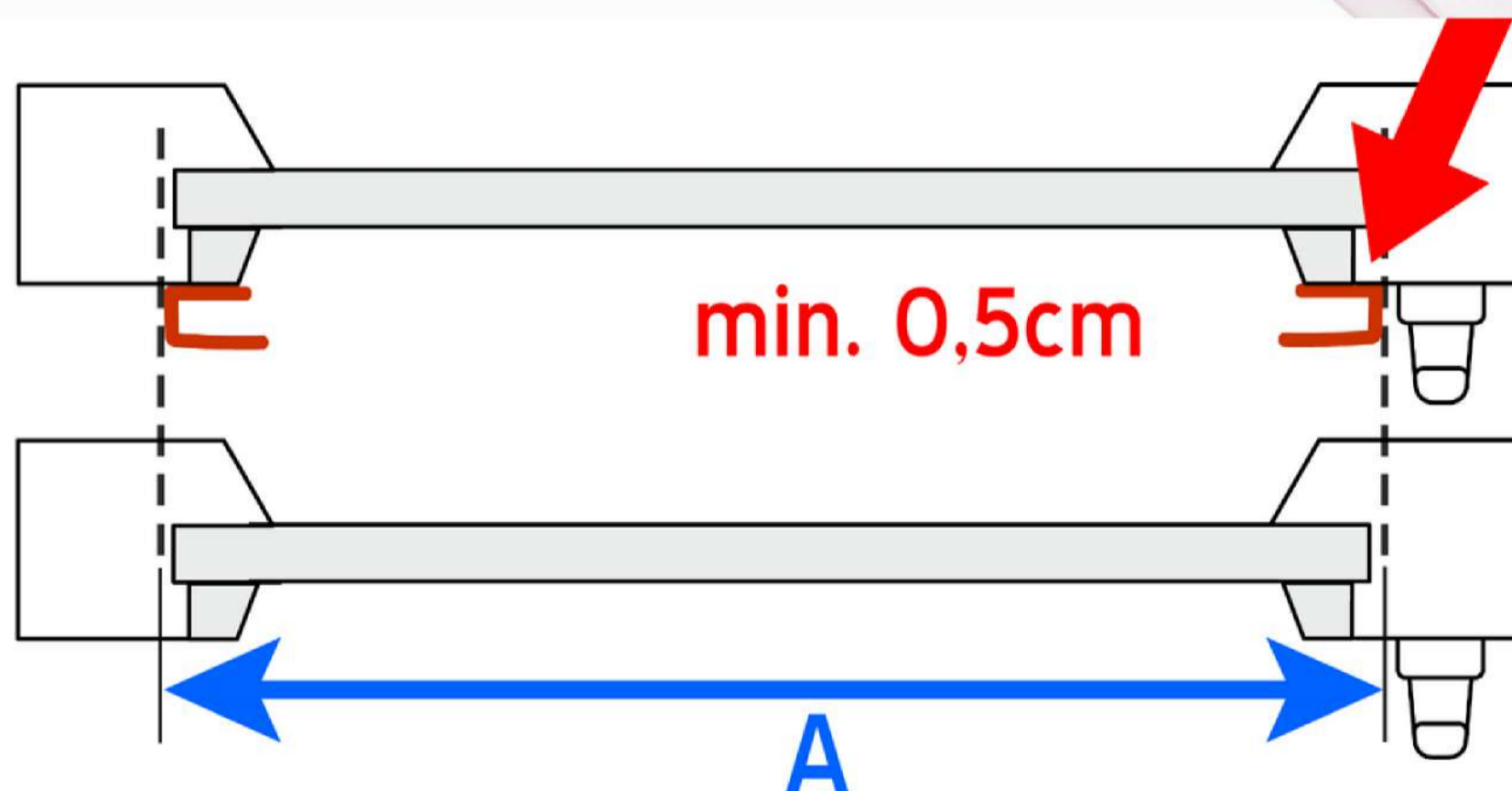
Dimension (B) ▶ Measure the height of the window sash.



WALL MOUNTING



MOUNTING ON THE FRAME







## STANDARDS OF CONCEPT XL ROLLER BLIND

# *Concept XL*

## ROLETA DEKRO





# STANDARDS OF CONCEPT XL ROLLER BLIND

## Concept XL Roller Blind

### ✓ 1. GENERAL INFORMATION AND STANDARDS

The CONCEPT XL system is a free-hanging roller blind designed to cover large surface areas and protect against light. It consists of material attached to a tube, and the entire mechanism is supported by a pair of brackets. A characteristic feature of the mechanism used in this system is its highly precise operation, thanks to an adjustable cover that allows the chain to work vertically and be controlled at any angle. The CONCEPT XL system is also characterized by an easy and convenient method of installation and removal, as well as the ability to utilize the entire width of the recess.

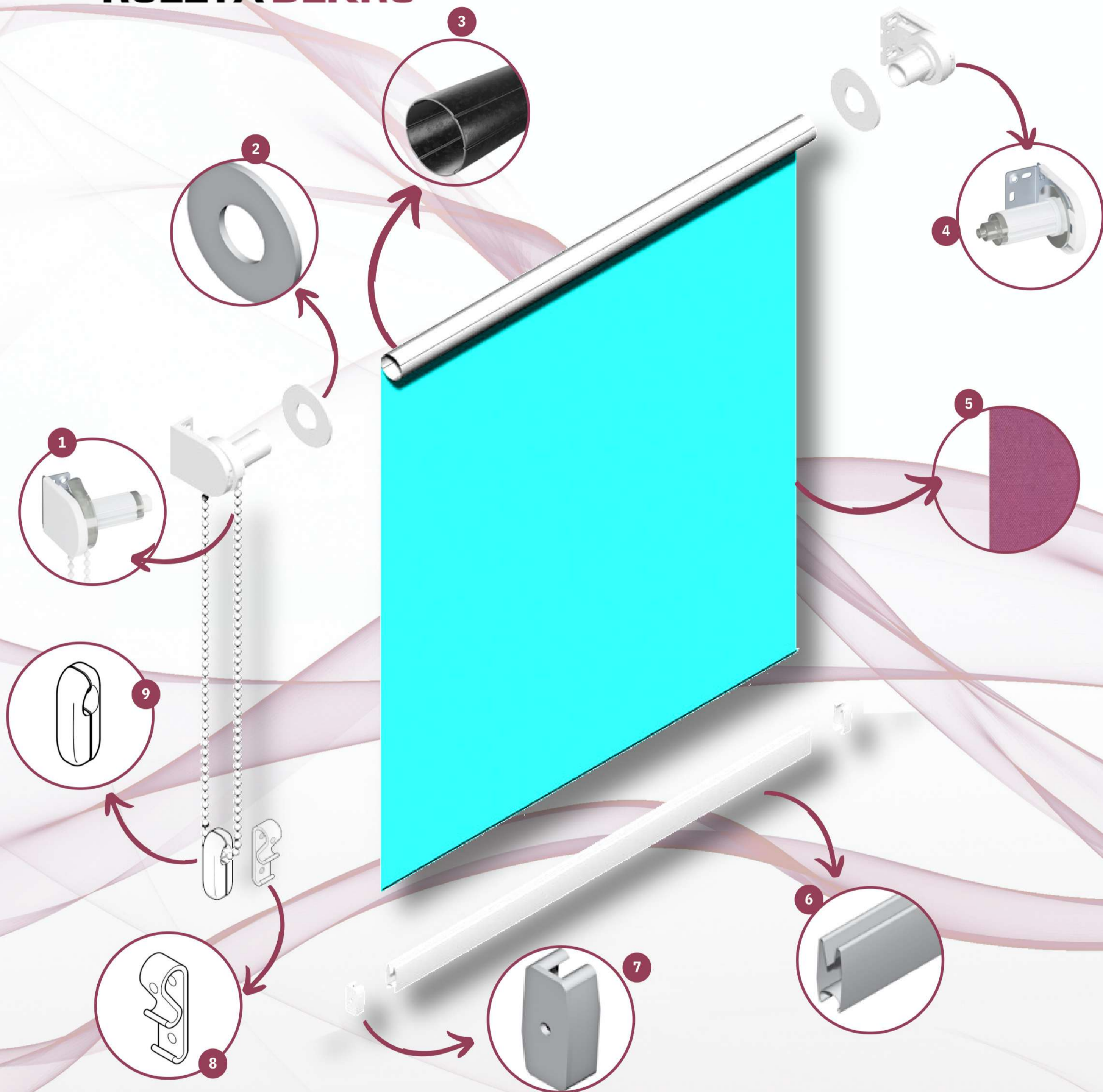
**Concept XL**  
ROLETA DEKRO





# Concept XL

ROLETA DEKRO



- 1 CHAIN MECHANISM 4.5X6.0
- 2 GUIDING RING
- 3 THREADED TUBE WITH TAPE Ø25
- 4 MECHANISM COVER

- 5 ROLLER BLIND FABRIC\* S
- 6 STEEL WEIGHT
- 7 WEIGHT COVER
- 8 CHAIN TENSIONER
- 9 CHAIN WEIGHT

\*FABRIC TYPES TO CHOOSE FROM THE SAMPLE BOOK



## ✓ 2. COLORS OF MECHANISMS



WHITE MECHANISM



BROWN MECHANISM



ANTHRACITE MECHANISM







## STANDARDS OF MASTER ROLLER BLIND



*Master*  
**ROLETA DEKRO**

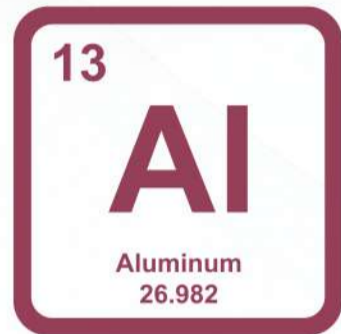




## MASTER Roller Blind in a cassette with spatial guides

### ✓ 1. GENERAL INFORMATION AND STANDARDS OF EXECUTION

The Master roller blind system is an excellent solution for large windows. Thanks to this system, it is easy to automate the darkening process of large window spaces. Roller blinds can be made up to 220 cm in width, which is a huge advantage for owners of large windows. The maximum height of the roller blind depends on the thickness of the fabric used



### ✓ 2. COLORS OF CASSETTES AND GUIDES



WHITE ALUMINUM / POWDER-COATED



### ✓ 3. NOTE

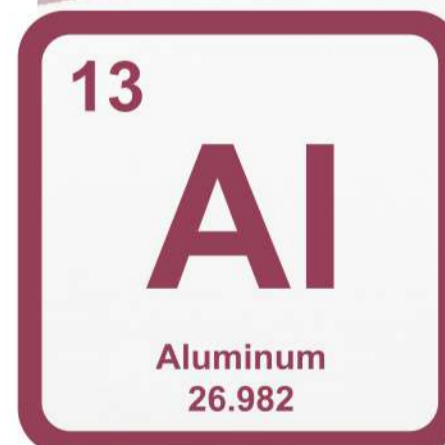
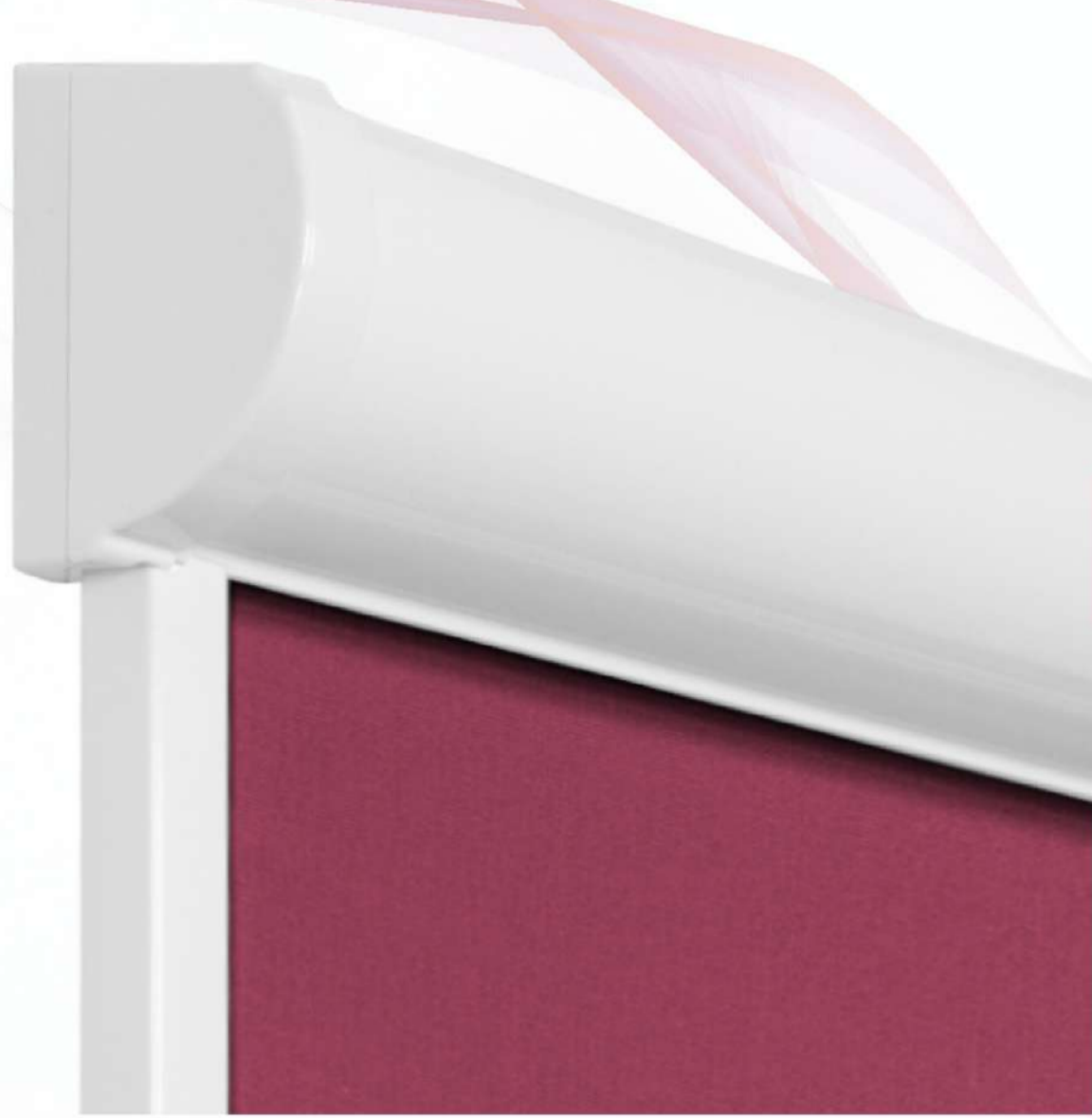
The blind is operated with a 4.5 mm diameter ball chain, and a steel tube "25" with a diameter of 23.5 mm is commonly used as standard.



# STANDARDS OF MASTER ROLLER BLIND

## ✓ 4. ALUMINUM GUIDES 20 mm

The system allows for the creation of a roller blind with standard fabric or day/night fabric, thanks to a special recess in the cassette. The Master system is the perfect choice for those who value aesthetics and functionality. Easy installation and the self-locking chain mechanism are additional advantages of this solution.



## ✓ 5. FABRICS AND DIMENSIONAL POSSIBILITIES

Due to the use of a cassette with greater capacity, the Master system has the ability to accommodate some fabrics, making it suitable for windows with increased heights, such as balcony or terrace windows.

**\*All mentioned and current limitations are included in the price list.**

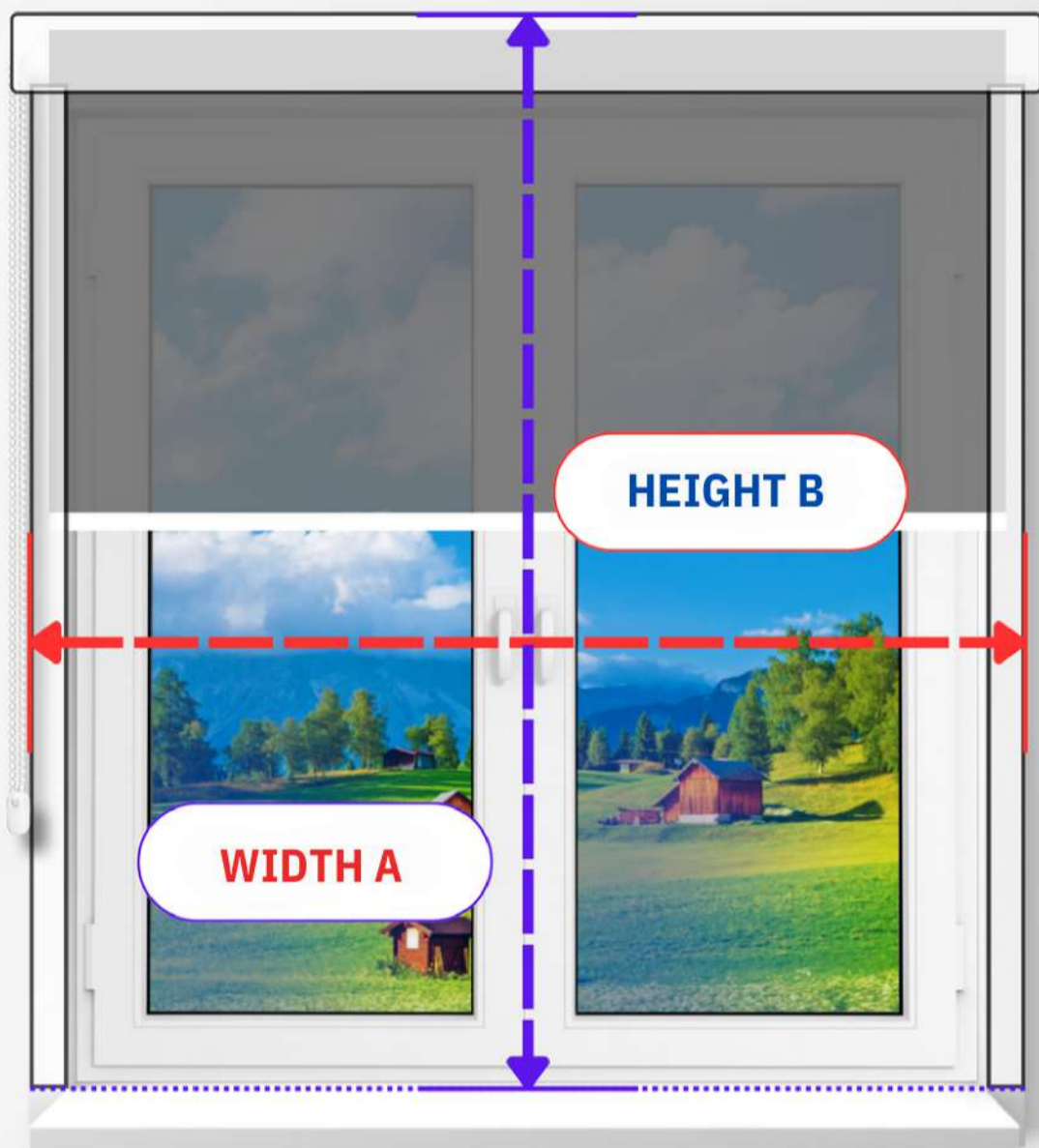


# STANDARDS OF MASTER ROLLER BLIND

## ✓ 6. MEASURING AND INSTALLING A ROLLER BLIND WITH GUIDES

How to measure?

- ▶ Measure the width of the window with window strips - Dimension (A)
- ▶ Measure the height of the window sash - Dimension (B)



WALL MOUNTING



MOUNTING ON THE FRAME

## ✓ 7. INSTALLATION OF A ROLLER BLIND WITH GUIDES INTO A RECESS OR ON THE WALL

The main advantages of the system include:

- easy installation
- possibility of making a blind up to 220 cm wide
- aesthetic appearance
- self-locking chain mechanism
- possibility of using standard fabric or day-night fabric

**Master**  
**ROLETA DEKRO**







## STANDARDS OF PERFORMANCE FOR THE MAESTRO ROLLER BLIND SYSTEM

**somfy** **YOODA**<sup>®</sup>  
TECHNOLOGY  
COMPATIBLE

MAESTRO





# STANDARDS OF PERFORMANCE FOR THE MAESTRO ROLLER BLIND SYSTEM

HIGHEST QUALITY SYSTEM

PROFILE FOR LARGE-SIZE BLINDS



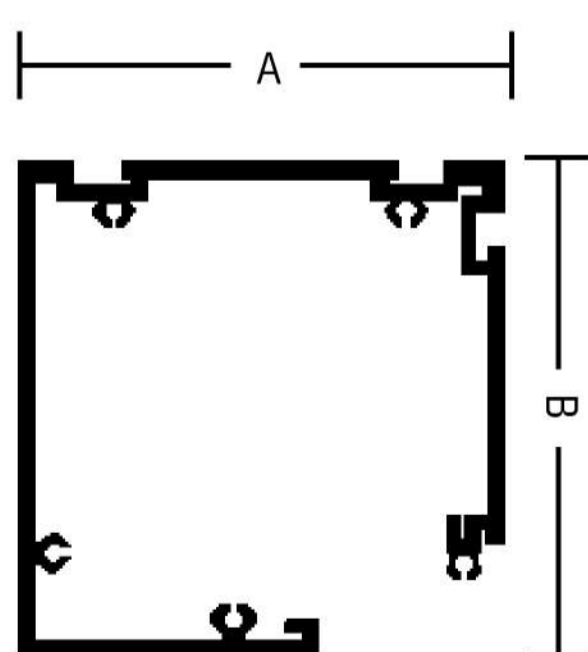
## CHAIN

- Gear ratio 1:1 - max 8 kg
  - Up to 3 meters in height\*
- \*dependent on fabric weight



## 230V MOTOR

- SOMFY and YOODA motors
- Motors with RTS radio control and phase control WT.
- Compatible with Tahoma Switch.

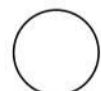


Dimension A / Dimension B / Length

85 mm / 85 mm / 5800 mm

Material: Aluminum

Color: White



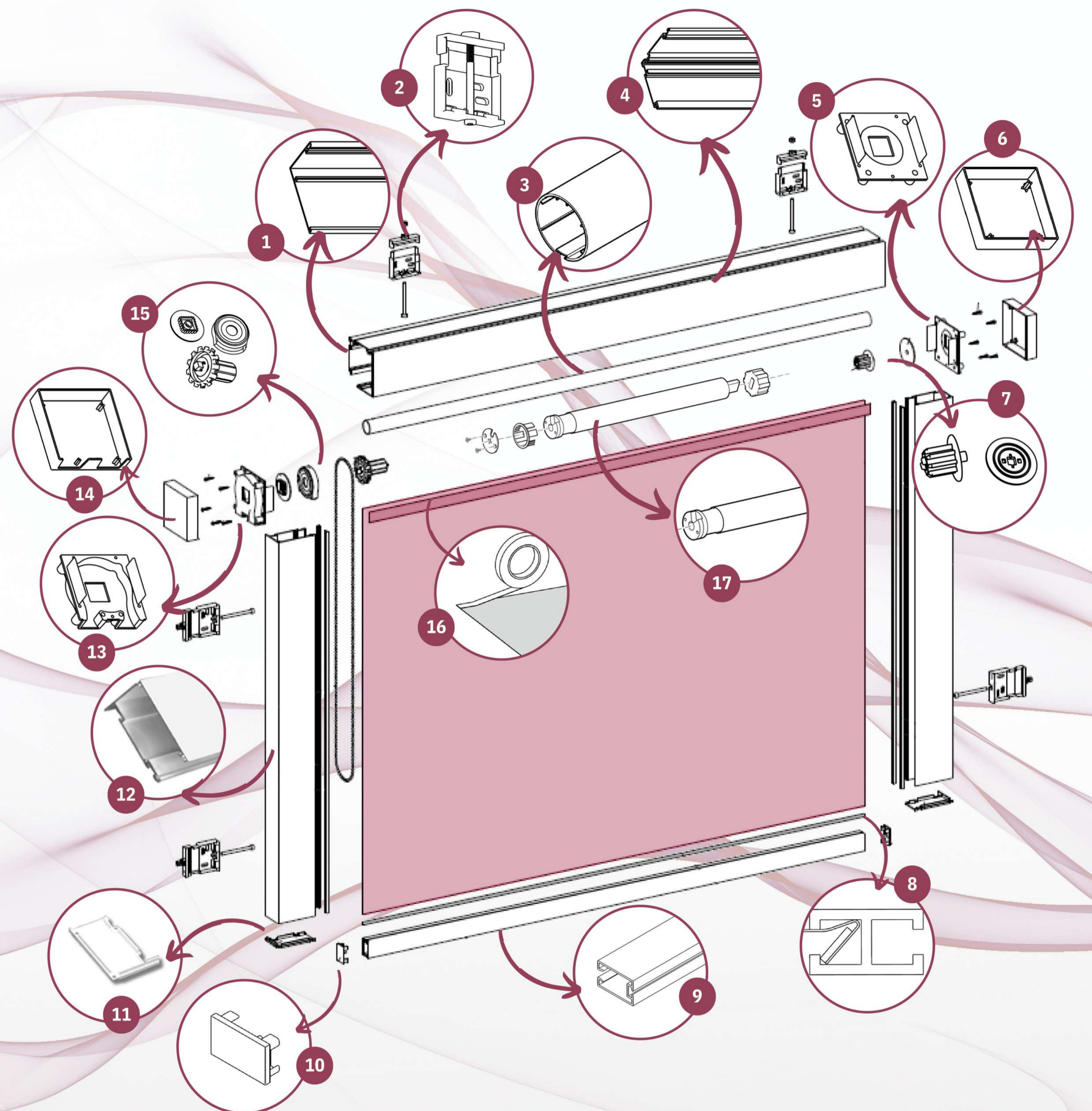
COMPATIBLE

**somfy**<sup>®</sup>  
**YOODA**<sup>®</sup>  
TECHNOLOGY





# STANDARDS OF PERFORMANCE FOR THE MAESTRO ROLLER BLIND SYSTEM



1. MAESTRO CASSETTE BACK.  
 2. CLAMP HANGER.  
 3. WINDING TUBE.  
 4. MAESTRO CASSETTE FRONT.  
 5. ROLLER STRUCTURAL ELEMENT.  
 6. COVER FROM THE ROLLER SIDE.

7. ROLLER AND ROLLER SOCKET.  
 8. TRANSPARENT STRIP WITH ADHESIVE.  
 9. WEIGHT BAR.  
 10. WEIGHT BAR COVER.  
 11. GUIDE COVER.  
 12. SIDE GUIDE.

13. DRIVE STRUCTURAL ELEMENT.  
 14. COVER FROM THE DRIVE SIDE.  
 15. CHAIN MECHANISM.  
 16. FABRIC WITH DOUBLE-SIDED TAPE.  
 17. ELECTRIC ROLLER DRIVE.



# STANDARDS OF PERFORMANCE FOR THE MAESTRO ROLLER BLIND SYSTEM

## MAESTRO OVERSIZED BLIND SYSTEM

INTEGRATED MOTOR WITH DRIVE  
TUBE IN CASSETTE

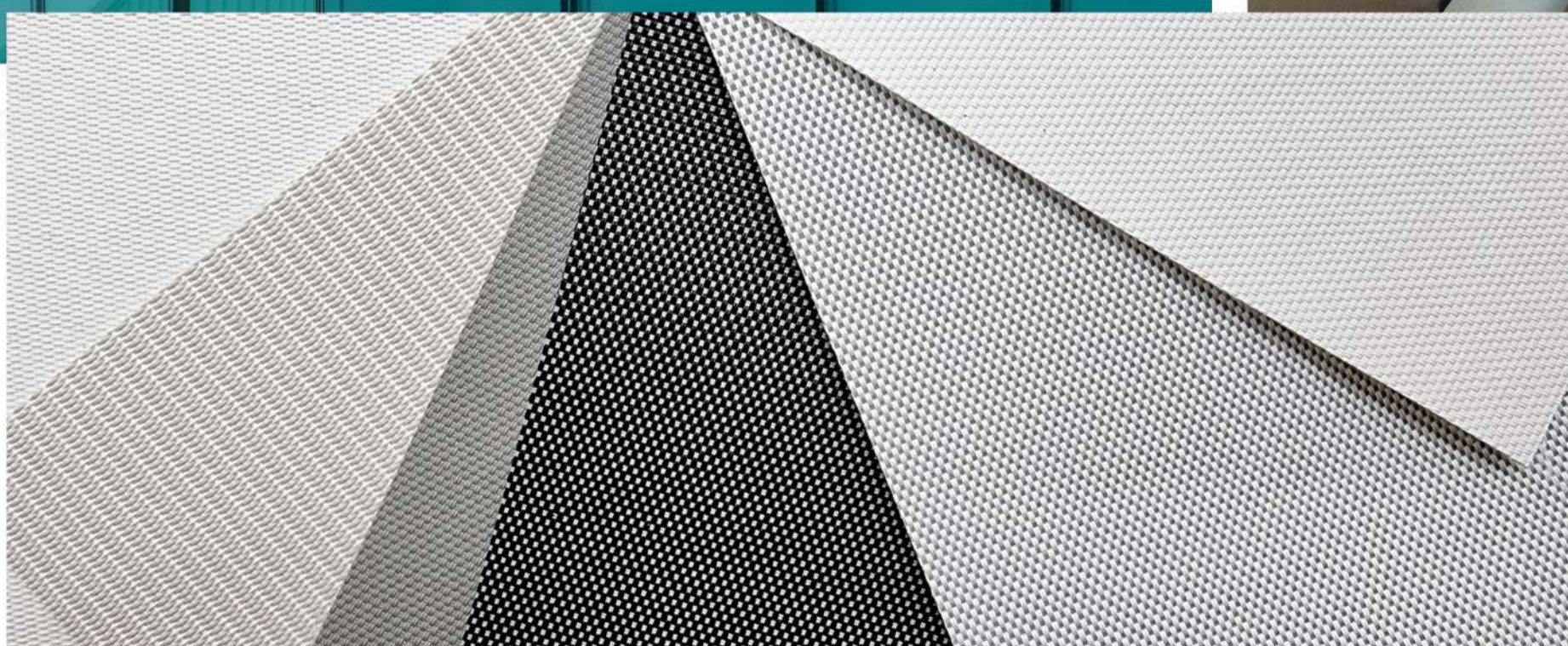
COMPATIBLE  
**somfy**  
**YOODA**

- Designed for both phase motors and radio-controlled motors.
- Possibility of direct integration with SOMFY smart home.
- Compatible with smart systems and CORTINO and YOODA remote controls.



### TAHOMA SWITCH\*

\*compatible only with SOMFY radio-controlled motors





# CONTACT DEKRO



**Marcin Dudczak**  
Właściciel i Założyciel Firmy  
Company Owner  
✉ [m.dudczak@dekro.com.pl](mailto:m.dudczak@dekro.com.pl)



**Adrianna Garczyńska**  
Koordynator ds. Księgowo-  
Administracyjnych  
Accounting and Administrative Coordinator  
☎ +48 690-296-929  
✉ [a.garczynska@dekro.com.p](mailto:a.garczynska@dekro.com.p)



**Joanna Czubińska**  
Kierownik ds. Sprzedaży  
Sales Manager and Servicing  
Foreign Markets  
☎ +48 530-124-296  
✉ [j.czubinska@dekro.com.pl](mailto:j.czubinska@dekro.com.pl)



**Paulina Ciepłoch**  
Specjalista ds. Sprzedaż - Export  
Export Sales Specialist  
☎ +48 537-591-177  
✉ [p.cieploch@dekro.com.pl](mailto:p.cieploch@dekro.com.pl)



**Martin Kimont**  
Działu Exportu: Niemcy  
Export Manager: Germany  
☎ +49 160 9142 1645  
✉ [kimont@dekro.com.pl](mailto:kimont@dekro.com.pl)



**Marta Rybak**  
Asystent Sprzedaży  
Sales Assistant  
☎ +48 537-591-177  
✉ [m.rybak@dekro.com.pl](mailto:m.rybak@dekro.com.pl)



**Karolina Bartosik**  
Koordynator Sprzedaży  
Sales Coordinator  
☎ +48 536-121-818  
✉ [k.bartosik@dekro.com.pl](mailto:k.bartosik@dekro.com.pl)



**Monika Ślęzak**  
Kierownik Produkcji  
Production Manager  
☎ +48 537-954-678  
✉ [m.slezak@dekro.com.pl](mailto:m.slezak@dekro.com.pl)



**Łukasz Witkowski**  
Specjalista ds. Sprzedaży  
Detalicznej  
Specialist in Retail Sales  
☎ +48 535-818-870  
✉ [l.witkowski@dekro.com.pl](mailto:l.witkowski@dekro.com.pl)



**Ilona Patora**  
Kierownik Pracowni Krawieckiej  
Manager for Sewing Workshop  
☎ +48 730-130-661  
✉ [i.patora@dekro.com.pl](mailto:i.patora@dekro.com.pl)



**Radosław Karkusiński**  
Kierownik ds. Marketingu  
Marketing Manager  
☎ +48 531-308-277  
✉ [r.karkusinski@dekro.com.pl](mailto:r.karkusinski@dekro.com.pl)



**Remigiusz Śmiechura**  
Kierownik Działu Technicznego  
Technical Department Manager  
☎ +48 690-910-988  
✉ [r.smiechura@dekro.com.pl](mailto:r.smiechura@dekro.com.pl)



# "Customer is our top priority"

## About Us:

*Dekro Marcin Dudczak Company has consistently pursued its mission since 2011, offering original and innovative solutions for window space arrangement. Our offerings cater to offices, hotels, guesthouses, curtain and drapery salons, designers, and private residences. The products we provide include traditional rails, electric curtain rods, systems for Roman blinds, as well as special systems for roof window niches. Dekro is a family-run business, ensuring closer contact with clients and a better understanding of their needs. As a result, the company enjoys the trust of our clients both domestically and internationally.*

*The company focuses on high-quality products and services, as well as their unlimited availability. We are one of the leaders in the window decoration industry, and our products are proven solutions used in many offices and private residences throughout Poland and abroad. Dekro offers a wide range of decorative window coverings and window design elements, such as Roman blinds, pleated blinds, electric curtain rods, day and night blinds, accessories for curtains and drapes, and many other innovative home solutions. Our products are characterized by diversity, durability, and high-quality craftsmanship. The company makes every effort to ensure that each client has the opportunity to create an individualized product for their interior.*

*Dekro Marcin Dudczak is a company that emphasizes an individual approach to each customer and their needs. Our specialists have the necessary skills and rich experience, allowing us to create solutions that meet the highest customer requirements. The company guarantees the reliability, durability, and smooth operation of its products, along with attractive prices. Choosing to collaborate with Dekro, clients can be confident that their window space will be arranged in a functional and aesthetic manner.*

"Our products are our passion."  
Feel free to contact us.

*Marcin Dudczak*





2023



DEKRO  
MARCIN DUDCZAK  
SZADKOWICE OGRODZIM  
UL.SADOWA 20, 98-240 SZADEK  
NIP: 8281225811,  
REGON: 730368166



- +48 536-121-818
- +48 43 307-00-82
- dekro@dekro.com.pl
- www.dekro.com.pl

www.dekro.com.pl

